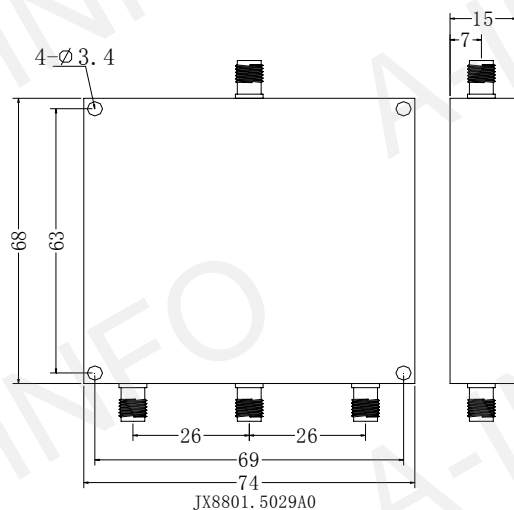


Outline Drawing (Size: mm)



Test Result Table

Item	Technical Specification	Test Results
Frequency Range(GHz)	1.7-2.5	1.7-2.5
Insertion Loss(dB)	6.4 max	5.9 max
Isolation(dB)	20 min	25.8 min
Amplitude Balance(dB)	±0.4 max	±0.36 max
Phase Balance(°)	±5 max	±4 max
Input Power (W)	5	5
VSWR	1.25 max	1.24 max
Impedance(Ohms)	50	50
Connectors	SMA-Female	SMA-Female
Operating Temperature(°C)	-30 ~ +60	-30 ~ +60