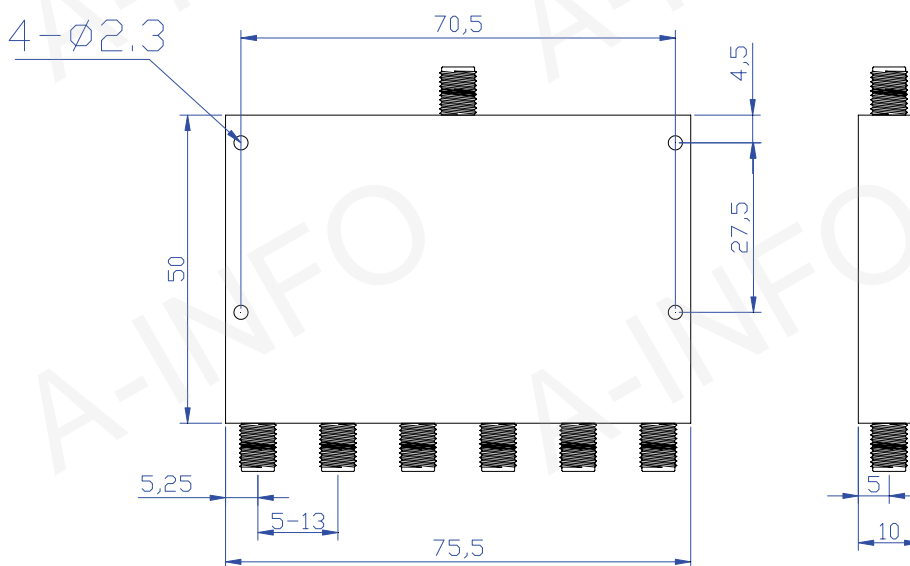


Outline Drawing (Size: mm)



Test Result Table

Item	Technical Specification	Test Results
Frequency Range(GHz)	8-18	8-18
Insertion Loss(dB)	2.2 max	1.10 max
Isolation(dB)	18 min	19 min
Amplitude Balance(dB)	±0.8 max	±0.62 max
Phase Balance(°)	±10 max	±8 max
Power Forward(W)	10	10
Power Reverse(W)	2	2
Input VSWR	1.8 max	1.73 max
Output VSWR	1.5 max	1.40 max
Connectors	SMA-Female	SMA-Female
Operating Temperature(°C)	-55 ~ +85	-55 ~ +85
Storage Temperature(°C)	-55 ~ +95	-55 ~ +95