



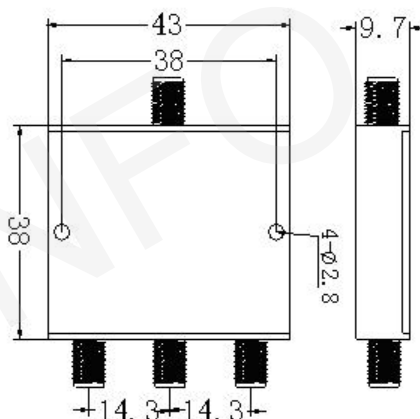
Test report is for reference only.

TEST REPORT
For
JXWBGF-T-3-8000-18000-C

Technical Specification

Frequency Range(GHz)	8-18
Isolation(dB)	19 min
Insertion Loss(dB)	1.0 max
Input VSWR	1.7 max
Output VSWR	1.5 max
Phase Unbalance(°)	±7 max
Amplitude Unbalance(dB)	±0.5 max
Forward Power(W)	5 CW
Impedance(Ohm)	50
Connectors	SMA-Female
Operating Temperature Range(°C)	-55 ~ +85
Net Weight(Kg)	0.045 Around

Outline Drawing (Size: mm)



Test Result

Insertion Loss (dB)	Isolation(dB)	VSWR input	VSWR output	Phase Unbalance (°)	Amplitude Unbalance (dB)
0.88	19.5	1.46	1.38	±4	0.45