



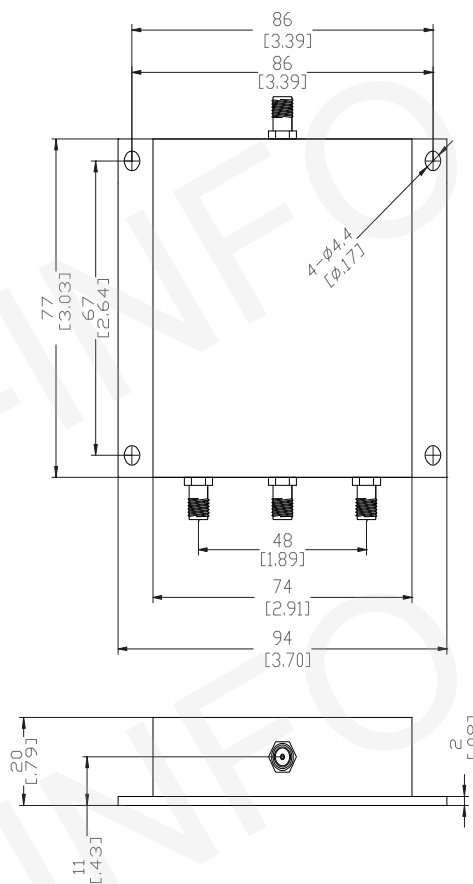
Test report is for reference only.

TEST REPORT
for
JXWBGF-T-3-800-2500

Technical Specification

Frequency Range(MHz)	800-2500
Insertion Loss(dB)	0.6 max
Isolation(dB)	22 min
Power Forward(W)	20
Power Reverse(W)	3
Phase Unbalance(°)	5
Amplitude Unbalance(dB)	0.35 max
VSWR	1.25 max
Connector	SMA-Female
Operating Temperature(°C)	-40 ~ +60
Storage Temperature(°C)	-45 ~ +80

Outline Drawing (Size: mm)



Test Results

Insertion Loss(dB)	Isolation(dB)	Phase Balance(°)	Amplitude Balance(dB)	VSWR
0.58	23.6	4.89	0.34	1.23