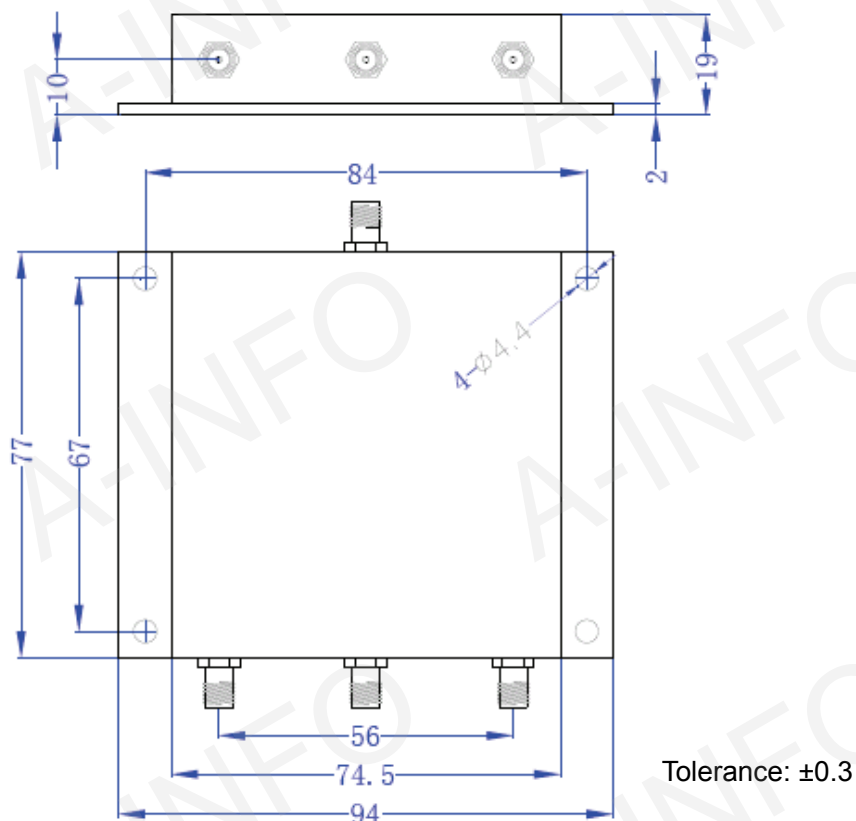


Outline Drawing (Size: mm)



Test Result Table

Item	Technical Specification	Test Results
Frequency Range(GHz)	1.7-2.2	1.7-2.2
Insertion Loss(dB)	0.6 max	0.43 max
Isolation(dB)	22 min	23.1 min
Amplitude Balance(dB)	0.35 max	0.18 max
Power Forward(W)	20	20
Power Reverse(W)	3	3
VSWR	1.30 max	1.23 max
Connectors	SMA-Female	SMA-Female
Operating Temperature(°C)	-25 ~ +65	-25 ~ +65