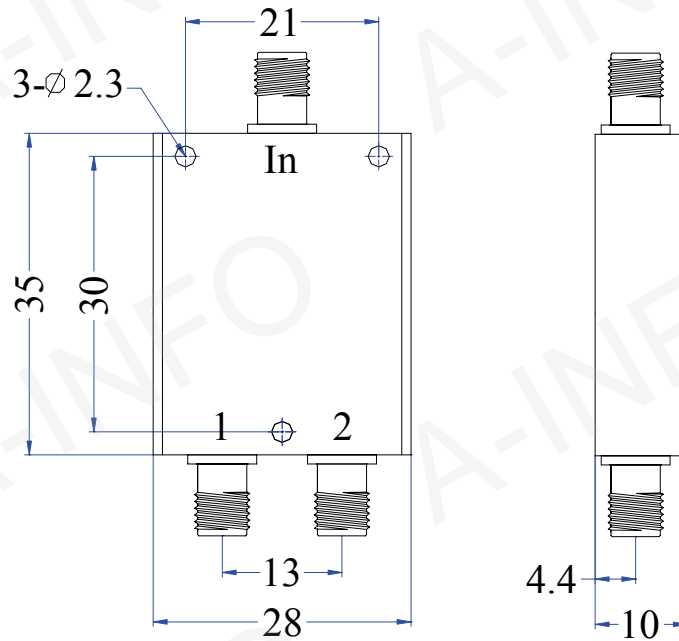


Outline Drawing (Size: mm)



Test Result Table

Item	Technical Specification	Test Results
Frequency Range(GHz)	0.8-2.0	0.8-2.0
Insertion Loss(dB)	0.4 max	0.31 max
Isolation(dB)	20 min	22.5 min
Amplitude Balance(dB)	±0.2 max	±0.12 max
Phase Balance(°)	±2 max	±1 max
Power Forward(W)	10 CW	10
Power Reverse(W)	2 CW	2
Input VSWR	1.3 max	1.25 max
Output VSWR	1.2 max	1.10 max
Impedance(Ohms)	50	50
Connectors	SMA-Female	SMA-Female
Operating Temperature(°C)	-55 ~ +85	-55 ~ +85