



Test report is for reference only.

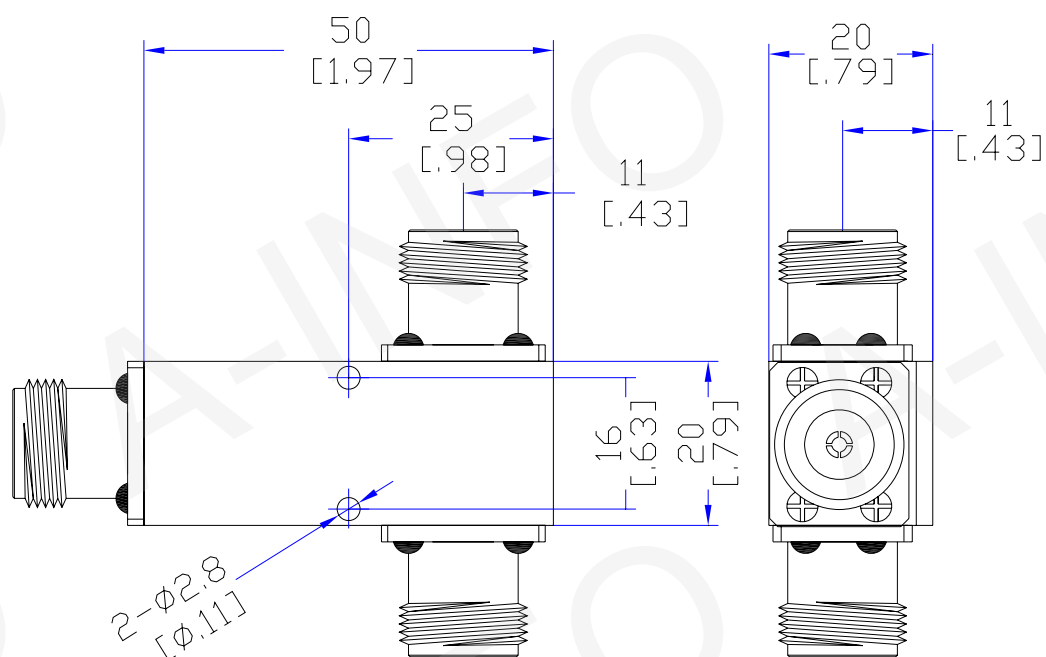
TEST REPORT
for
JXWBGF-T-2-5800-7100



Technical Specification

Frequency Range(MHz)	5800~7100
Insertion Loss(dB)	0.6 max
Isolation(dB)	10 min
VSWR	1.30:1 max
Amplitude Balance(dB)	0.5 max
Phase Balance(°)	5 max
Impedance(Ohms)	50
Power Handling(W)	20 CW (output VSWR<1.5)
Connectors	N-Female
Operating Temperature(°C)	-30~+55
Net Weight(Kg)	0.10 Around

Outline Drawing (Size: mm)



Test Results

Insertion Loss 0.6dB max	VSWR 1.30 max	Isolation 10dB min	Amplitude Balance 0.5dB max	Phase Balance 5° max
0.6	1.20	18.0	0.08	0.71