



Test report is for reference only.

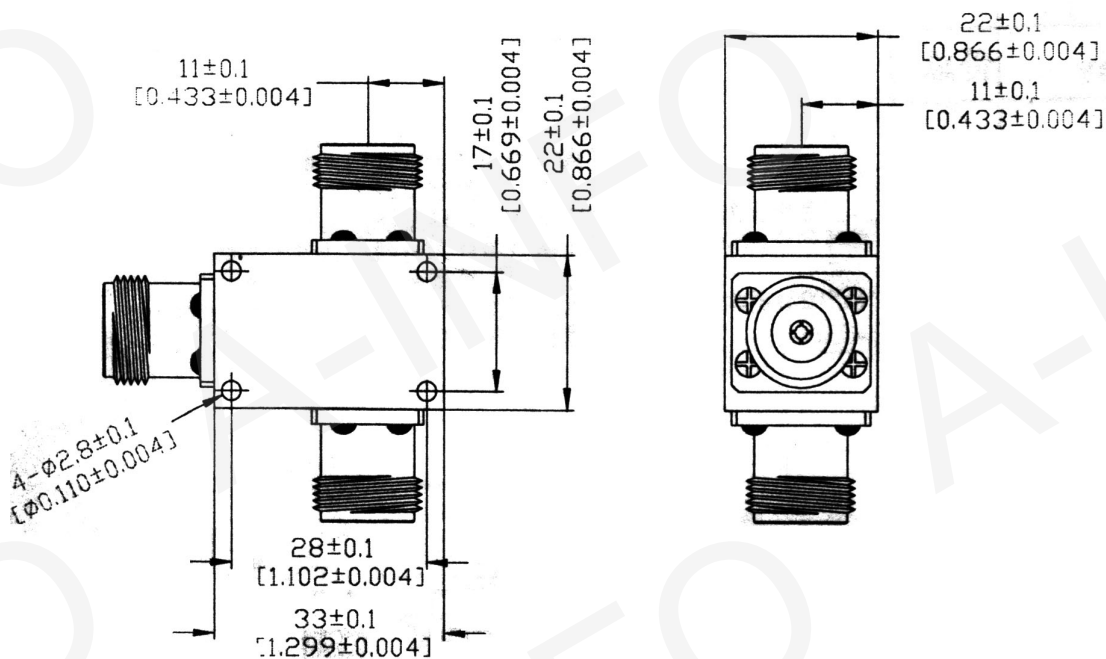
TEST REPORT
for
JXWBGF-T-2-4000-6000



Technical Specification

Frequency Range(GHz)	4-6
Insertion Loss(dB)	0.8 max
Isolation(dB)	20 min
VSWR	1.3:1 max
Phase Balance(°)	3
Amplitude Balance(dB)	0.3 max
Impedance(Ohm)	50
Power Handling(W)	5 CW (output VSWR<1.5)
Input Connector	N-Female
Output Connector	N-Female
Operating Temperature(°C)	-55 ~ +85
Storage Temperature(°C)	-60 ~ +90

Outline Drawing (Size: mm)



Test Instruments

➤ ZVB20

Test Results

Insertion Loss (dB)	VSWR	Isolation (dB)	Amplitude Balance (dB)	Phase Balance (°)
0.8 max	1.30 max	20 min	0.3 max	3 max
0.63	1.26	21.8	0.19	1.84