



Test report is for reference only.

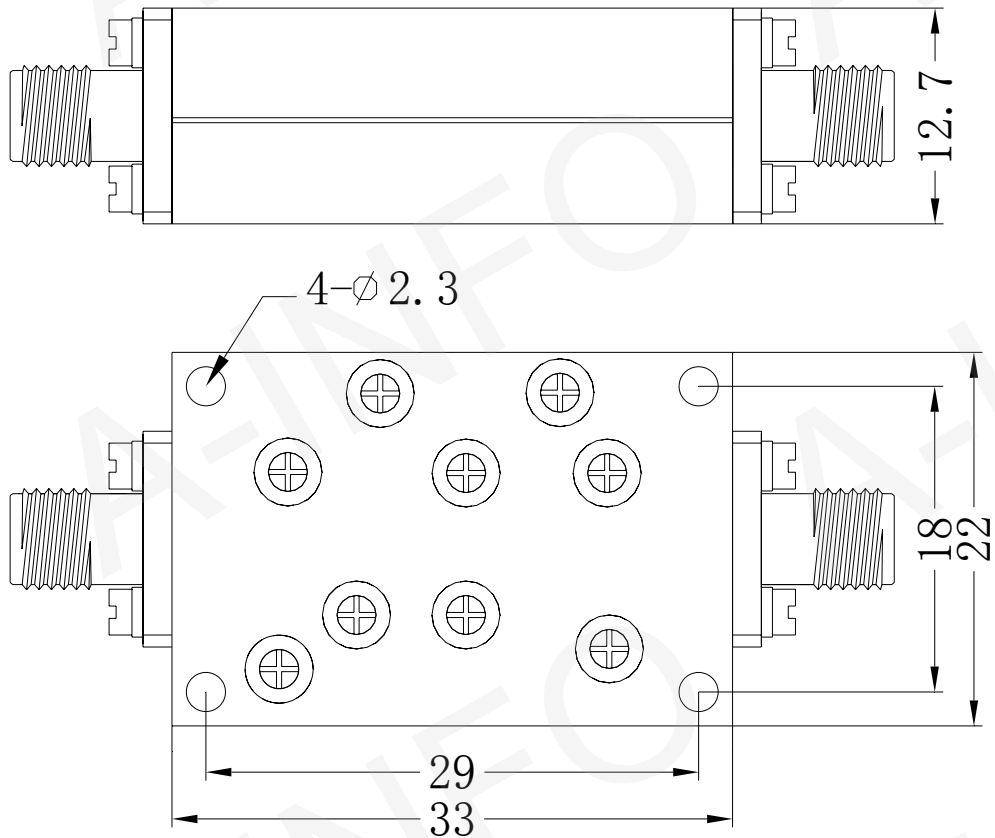
**TEST REPORT**  
for  
**JXWBLB-T-LP-6-S**



### Technical Specification

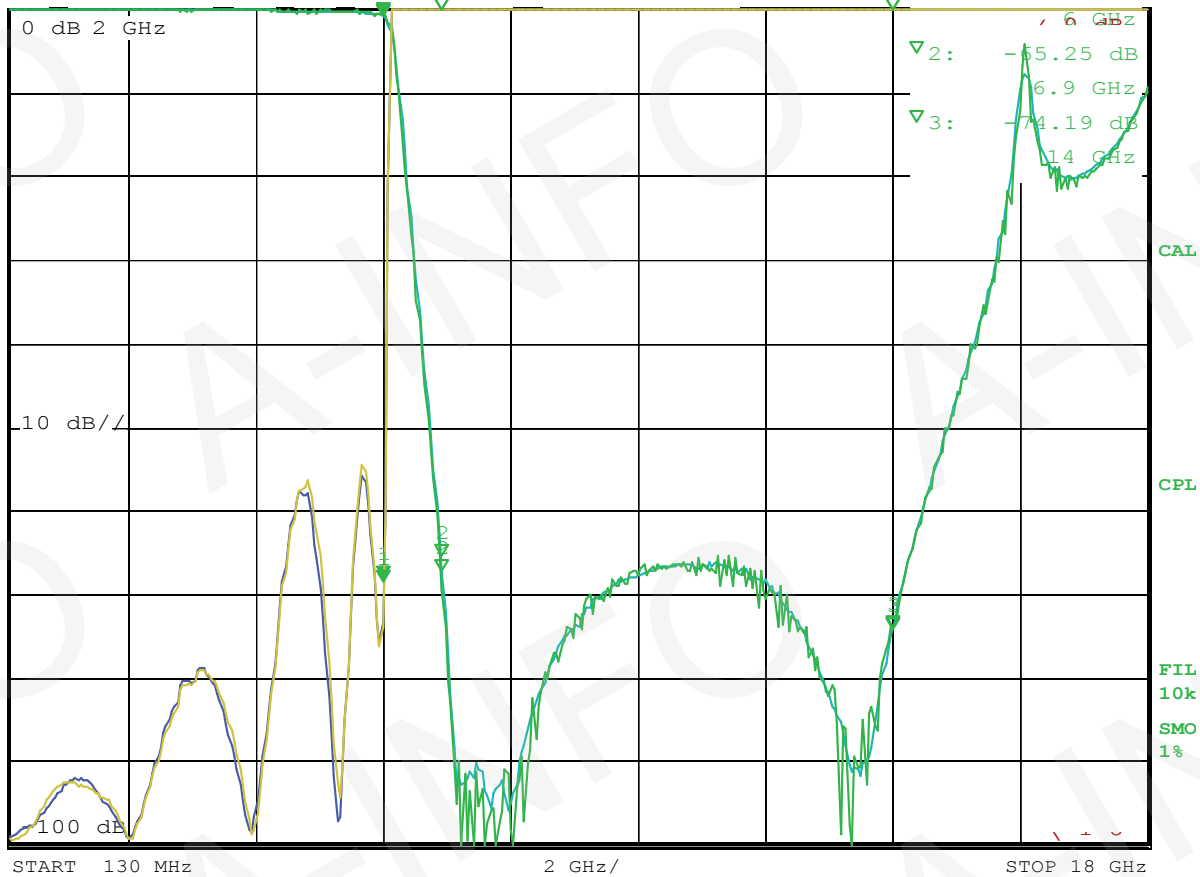
3dB Cut Off(GHz)	6
Pass Band Loss ≤ 1dB(GHz)	DC-5.4
Stop Band(dB)	45 min @ 6.9 – 14GHz
Insertion Loss(dB)	1.0max
Average Power(W)	15
VSWR	2.0
Connector	SMA-Female
Operating Temperature(°C)	-40 ~ +80

### Outline Drawing (Size: mm)



### Test Results

CH1 S11	LIN	SWR	100 mU/	REF 1 U	▽1:	1.320 U
CH2 S21	dB	MAG	10 dB/	REF 0 dB	▽1:	-0.876 dB
CH3 S12	dB	MAG	10 dB/	REF 0 dB	▽1:	-0.627 dB
CH4 S22	LIN	SWR	100 mU/	REF 1 U	▽3:	1.315 U



Comment 1:  
1/  
Comment 2: C:\1.TXT  
Date: 13.FEB.07 15:52:01