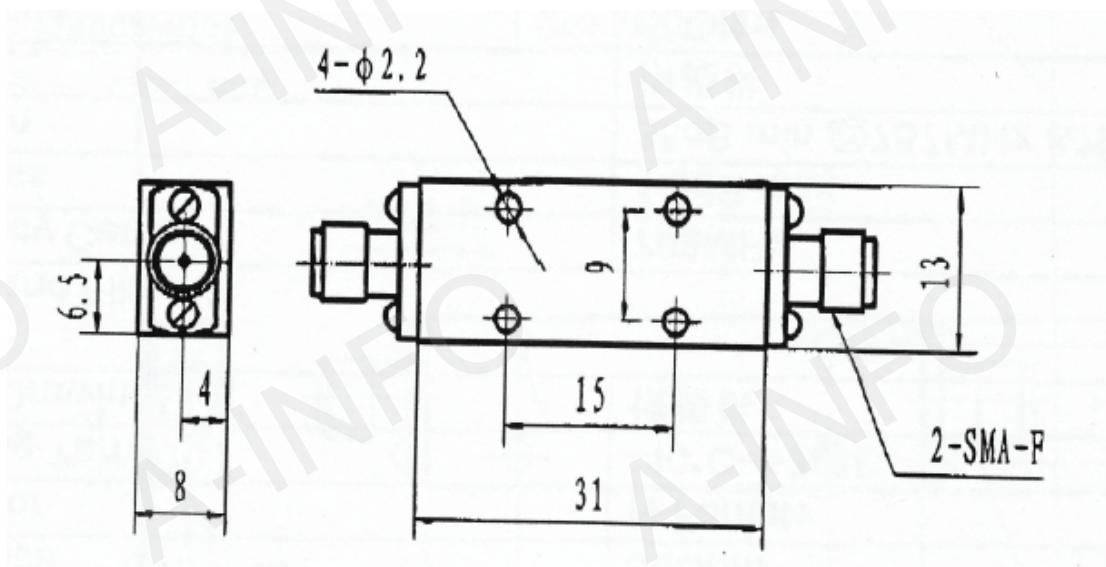


Outline Drawing (Size: mm)



Technical Specification

Item	Technical Specification
Pass Band(GHz)	2.4-12.4
Insertion Loss in Pass Band(dB)	1.0 max
Rejection(dB)	50 min@15.5-26GHz
	20 min@26.0-30.0GHz
VSWR	2.0 max in the pass band
Connectors	SMA-Female
Operating Temperature(°C)	-40 ~ +80

Test Results

Temperature (°C)	Insertion Loss(dB)			Rejection(dB)		VSWR
	2.4GHz	6.2GHz	12.4GHz	15.5-26.0GHz	26.0-30.0GHz	
-40	0.06	0.13	0.19	53.8	24.3	1.95
+80	0.07	0.18	0.25	54.5	24.2	1.90
+25	0.06	0.17	0.26	54.4	24.0	1.98