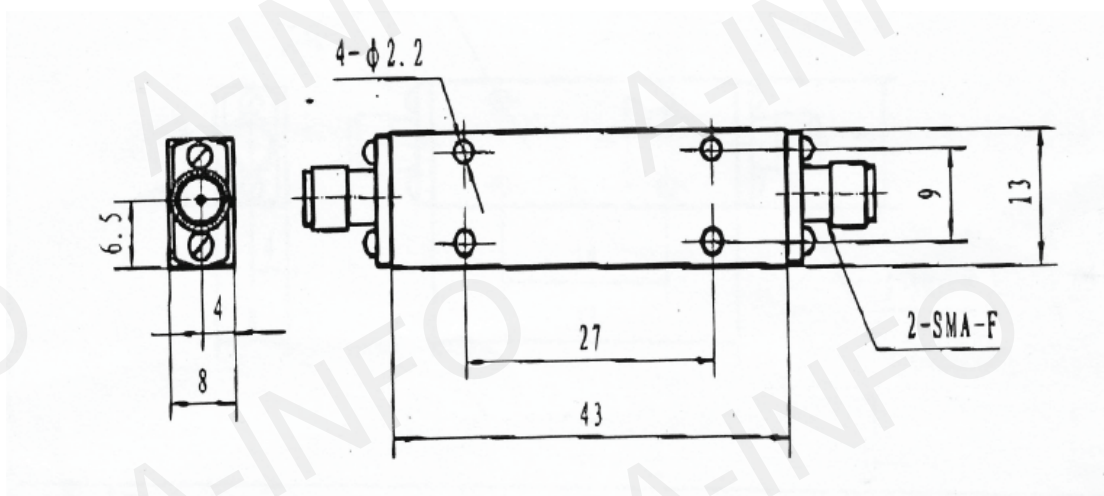


Outline Drawing (Size: mm)



Technical Specification

Item	Technical Specification
Pass Band(GHz)	1.6-8.0
Insertion Loss in Pass Band(dB)	1.0 max
Rejection(dB)	50 min@10.0-20.0GHz
	30 min@20.0-32.0GHz
VSWR	1.8 max in the pass band
Connectors	SMA-Female
Operating Temperature(°C)	-40 ~ +80

Test Results

Temperature (°C)	Insertion Loss(dB)			Rejection(dB)		VSWR
	1.6GHz	4.0GHz	8.0GHz	10.0-20.0GHz	20.0-32.0GHz	
-40	0.05	0.08	0.22	60.5	69.7	1.71
+80	0.07	0.10	0.36	60.9	68.9	1.71
+25	0.06	0.10	0.28	60.9	71.2	1.71