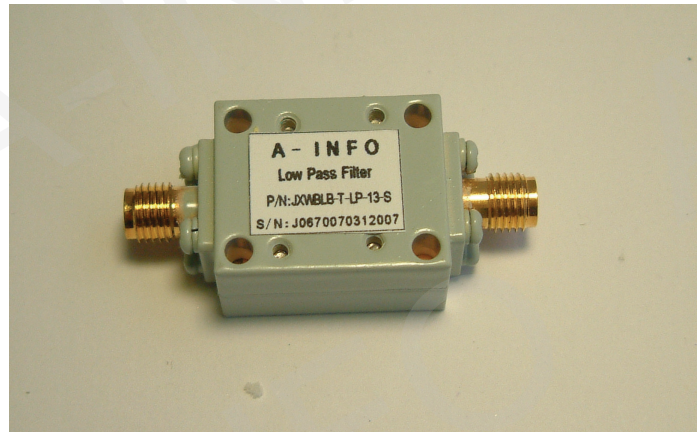




Test report is for reference only.

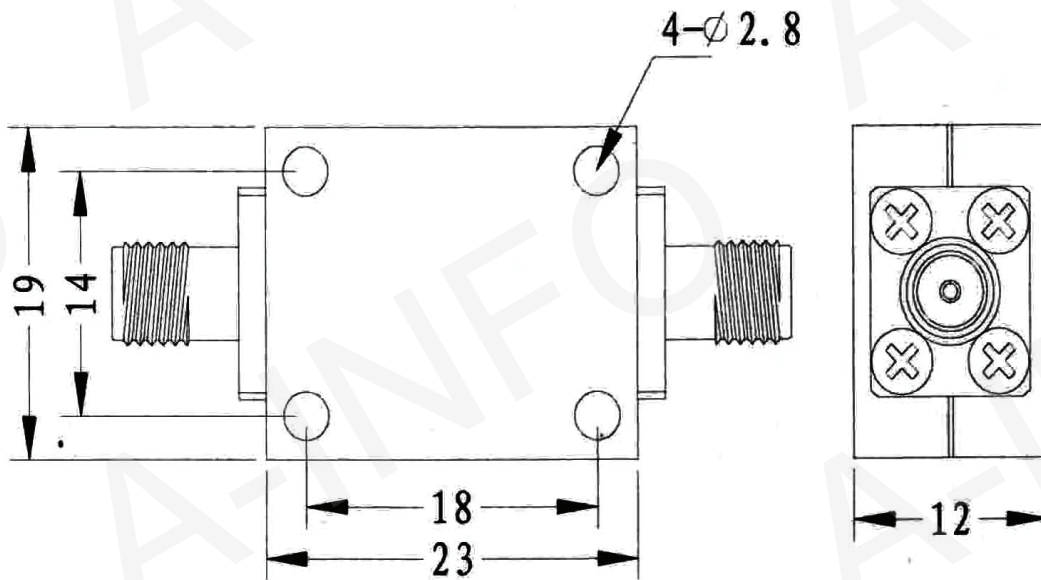
TEST REPORT
for
JXWBLB-T-LP-13-S



Technical Specification

3dB Cut Off(GHz)	13
Pass Band Loss ≤ 1dB(GHz)	DC-11.7
Stop Band(dB)	45 min @ 15 – 18.8GHz
Insertion Loss(dB)	1.0max
Average Power(W)	15
VSWR	2.0
Connector	SMA-Female
Operating Temperature(°C)	-40 ~ +80

Outline Drawing



Test Results

CH1	S11	LIN	SWR	100 mU/	REF 1 U	▼1:	1.339 U
CH2	S21	dB	MAG	10 dB/	REF 0 dB	▼1:	-0.673 dB
CH3	S12	dB	MAG	10 dB/	REF 0 dB	▼1:	-0.773 dB
CH4	S22	LIN	SWR	100 mU/	REF 1 U	▼1 2:	1.274 U

