

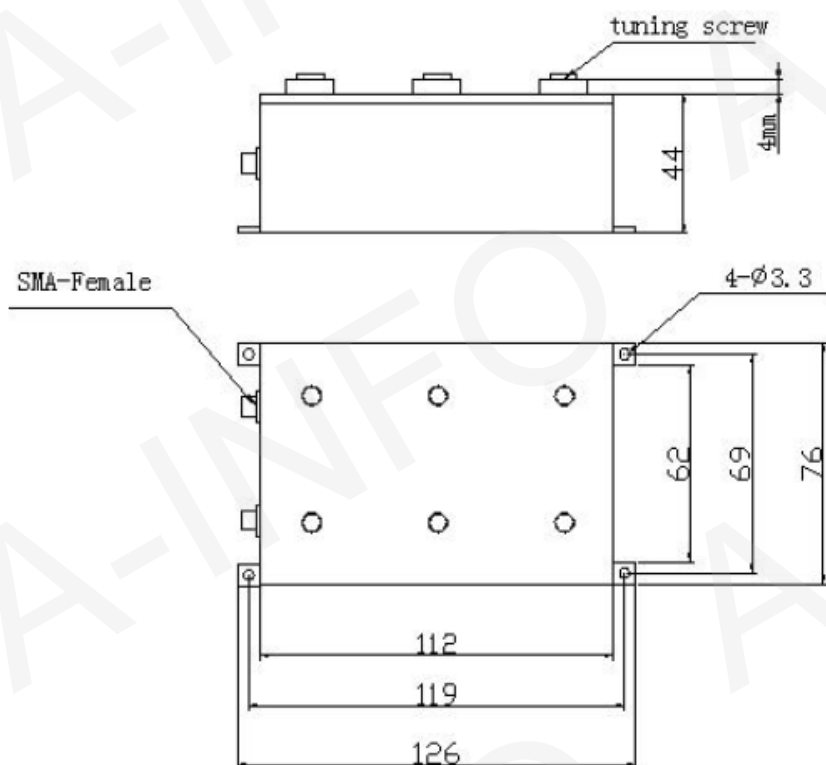


**TEST REPORT**  
**For**  
**JXWBLB-T-BP-998-6-3CS**

## Technical Specification

Center Frequency(f0)(MHz)	998
1dB Bandwidth(MHz)	6 min
I.L. at f0(dB)	2 max
Rejection(dB)	20 min@20MHz from f0
VSWR	1.5
Connector	SMA-Female
Impedance(Ohms)	50
Operating Temperature(°C)	-40 ~+80

## Outline Drawing (Size: mm)



## Test Results

Temperature	F0 (MHz)	Lr0 (dB)	-1dB BW	Rejection(dB)		VSWR
				978 MHz	1018 MHz	
Low Temperature	999.00	-0.75	8.73	-64.8	-74.5	1.37
High Temperature	997.36	-0.86	8.74	-73.8	-62.9	1.29
Normal Temperature	998.19	-0.80	8.78	-71.3	-68.6	1.13