



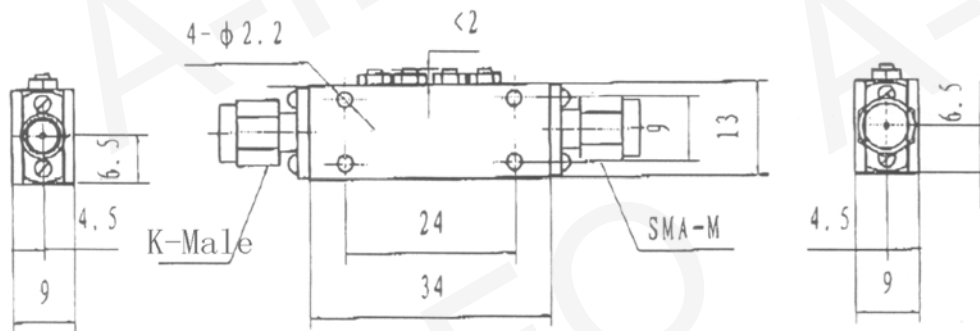
TEST REPORT
For
JXWBLB-T-BP-9750-1000-4CKSM



Technical Specification

Frequency Range(GHz)	9.25-10.25
Insertion Loss(dB)	1.0 max
Rejection(dB)	20 min@8.25GHz 20 min@11.25GHz
VSWR	1.5 max
Impedance(Ohms)	50
Connector	Input: K(2.92mm)-Male Output: SMA-Male
Operating Temperature(°C)	-30~ +70
Net Weight(Kg)	0.03 Around

Outline Drawing (Size: mm)



Test Results

Temperature	Insertion Loss(dB)			Rejection(dB)		VSWR
	9.75GHz	9.25GHz	10.25GHz	8.25GHz	11.25GHz	
Lower Temperature	-0.61	-0.48	-0.56	-28.8	-28.6	1.44
High Temperature	-0.49	-0.36	-0.51	-28.6	-27.7	1.45
Normal Temperature	-0.55	-0.42	-0.53	-28.3	-28.0	1.41