



Test report is for reference only.

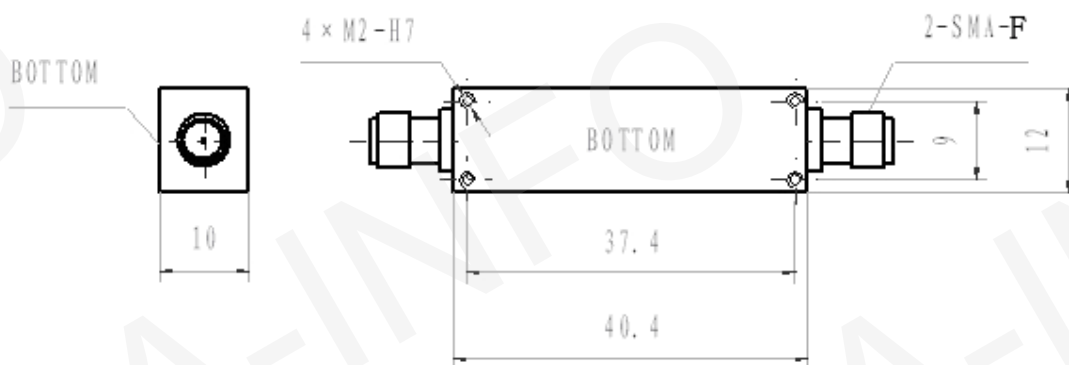
**TEST REPORT**  
**For**  
**JXWBLB-T-BP-83-14-LS**



## Technical Specification

Center Frequency (f0)(MHz)	83
1dB Band Width(MHz)	14
I.L. at Center Frequency(dB)	2.0 max
Rejection(dB)	60 min @ f0±30MHz
VSWR	1.5 max
Connectors	SMA-Female
Operating Temperature(°C)	-40 ~ +80
Storage Temperature(°C)	-55 ~ +85
Size(mm)	40.4 x 12 x 10
Net Weight(Kg)	0.02 Around

## Outline Drawing (Size: mm)



## Test Results

Temperature	Insertion Loss at Center Freq.	Rejection		VSWR
		53MHz	113MHz	
Low Temperature	-1.27	-69.1	-70.2	1.32
High Temperature	-1.44	-67.7	-71.0	1.33
Normal Temperature	-1.35	-68.5	-70.5	1.30