



Test report is for reference only.

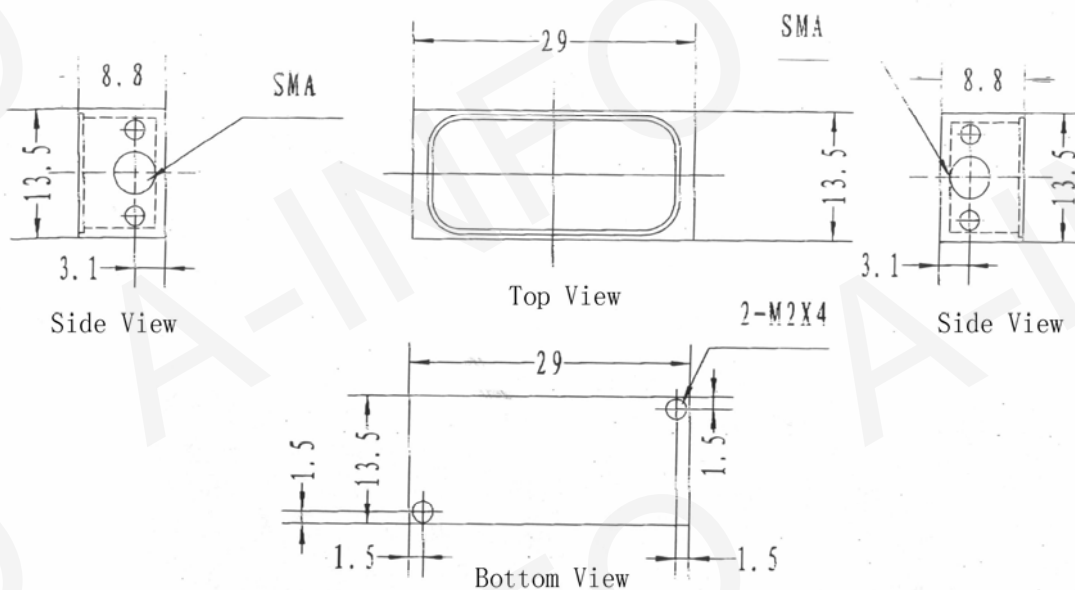
TEST REPORT
For
JXWBLB-T-BP-70-5-LS



Technical Specification

Center Frequency(MHz)	70
Pass Band(MHz)	70 ± 2.5
3dB Band Width(MHz)	65 & 75
30dB Band Width(MHz)	50 & 90
Input & Output Return Loss(dB)	Better Than 16
Input & Output Connectors	SMA-Female
Impedance(Ohms)	50
Group Delay(ns/MHz)	2
Insertion Loss(dB)	2 max
Size(mm)	28.6x13.2x8.8
Net Weight(Kg)	0.015 Around

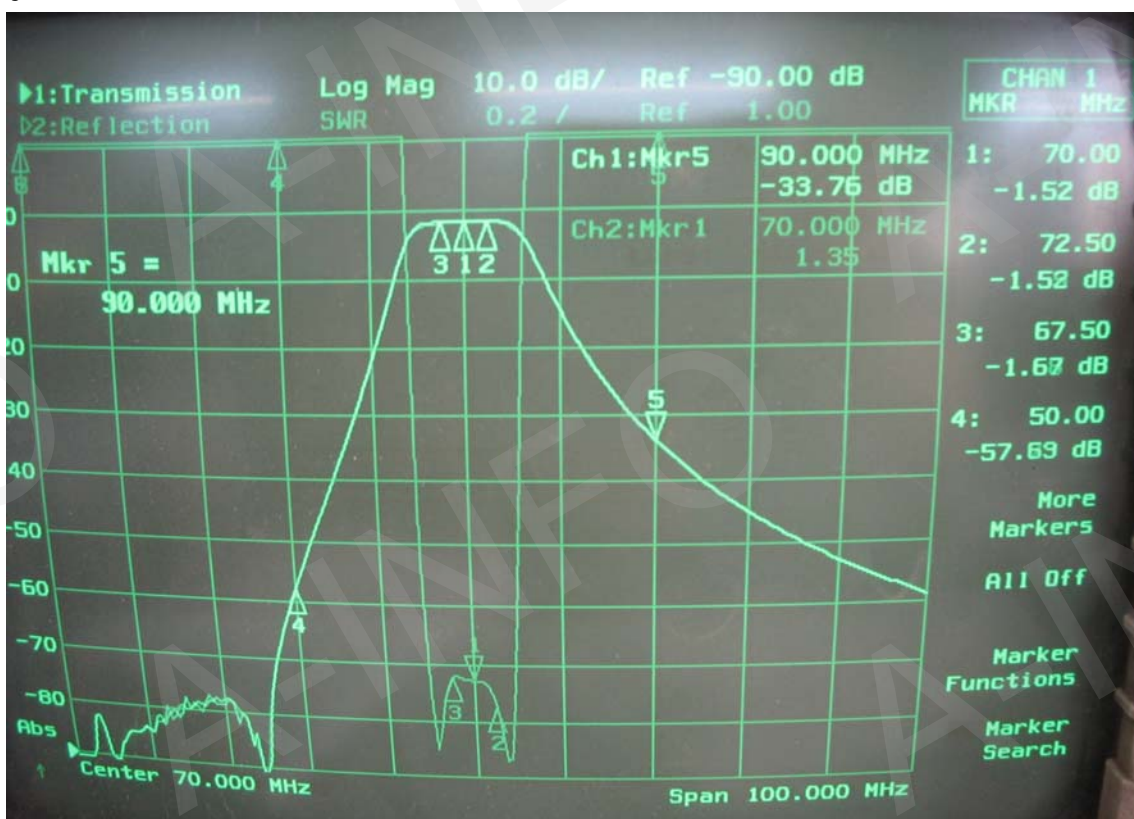
Outline Drawing



Test Results

Insertion Loss (dB)	VSWR	Rejection(dB)		1dB Band Width	Group Delay (ns/MHz)
		30 max 50 MHz	90 MHz		
≤2	1.33	57	33	10.0	2 (3ns @ fo ±2.5MHz)

Rejection & VSWR



Group Delay & VSWR

