



Test report is for reference only.

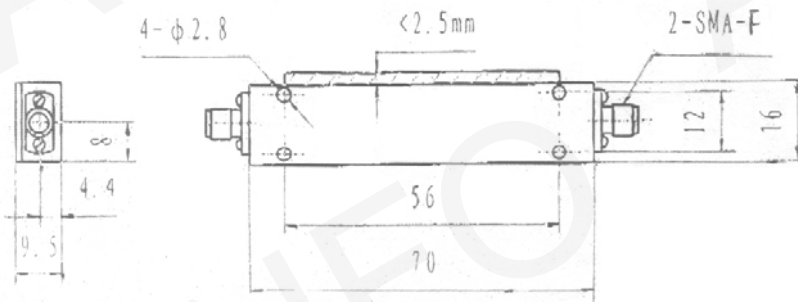
TEST REPORT
For
JXWBLB-T-BP-5650-500-8CS



Technical Specification

1dB Pass Band(MHz)	5400-5900
Insertion Loss @ Center Frequency(dB)	0.8 max
Insertion Loss @ Pass Band(dB)	1.3 max
Rejection(dB)	48 min@5150MHz
	50 min@6150MHz
VSWR	1.7 max
Connector	SMA-Female
Operating Temperature(°C)	-30 ~ +70
Storage Temperature(°C)	-55 ~ +85
Net Weight(Kg)	0.065 Around

Outline Drawing (Size: mm)



Test Results

Temperature	Center Freq. (MHz)	I.L. @ Center Freq. (dB)	1dB Bandwidth (MHz)	I.L. @ Pass Band	Rejection(dB)		VSWR
					5150 MHz	6150 MHz	
-30 °C	5650	-0.22	587.66	-0.82	-54.4	-52.2	1.67
+70 °C	5650	-0.34	586.21	-0.89	-53.1	-53.7	1.69
+25 °C	5650	-0.30	587.00	-0.83	-53.9	-52.9	1.65