



Test report is for reference only.

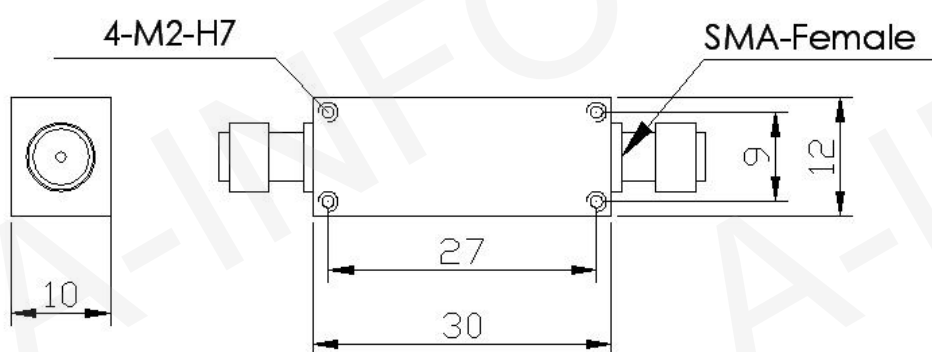
**TEST REPORT**  
**For**  
**JXWBLB-T-BP-500-40-LS**



## Technical Specification

Frequency Range (MHz)	480-520
Insertion Loss at Center Frequency (dB)	2.0 max
VSWR	1.5 max
Center Frequency (MHz)	500
1dB Bandwidth (MHz)	40 min
Rejection(dB @ MHz)	65 min @ 400 65 min @ 600
Impedance (Ohm)	50
Connectors	SMA-Female
Size(mm)	30 x 12 x 10
Operating Temperature(°C)	-40 ~ +80
Storage Temperature(°C)	-55 ~ +85
Net Weight(Kg)	0.015 Around

## Outline Drawing (Size: mm)



## Test Results

Temperature	F0(MHz)	Lr0(dB)	-1dB BW	Rejection(dB)		VSWR
				400MHz	600MHz	
Low Temperature	500	-1.52	47.78	-86.1	-76.8	1.40
High Temperature	500	-1.66	47.62	-87.5	-78.1	1.42
Normal Temperature	500	-1.59	47.66	-86.7	-77.5	1.41