



Test report is for reference only.

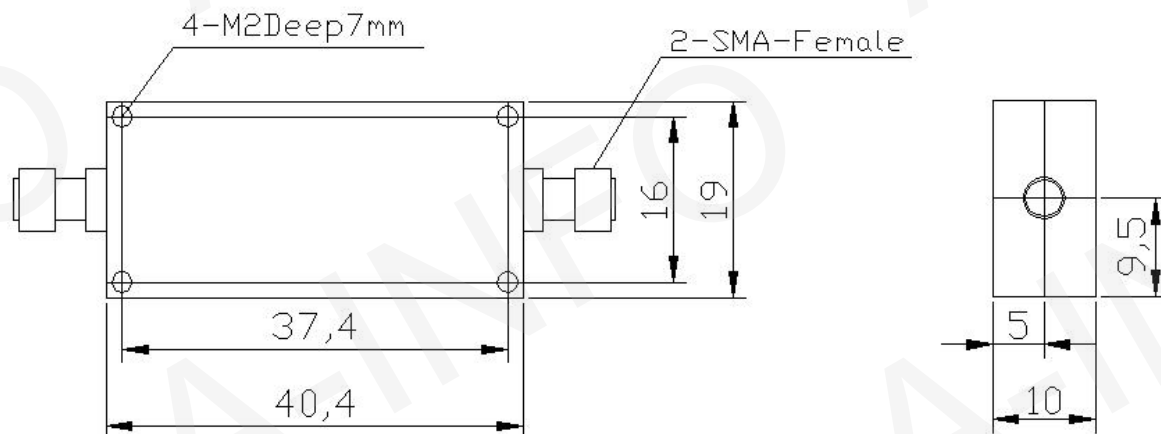
TEST REPORT
For
JXWBLB-T-BP-4-0.8-LS



Technical Specification

Center Frequency (f0)(MHz)	4
1dB Band Width(MHz)	0.8 min
Insertion Loss (f0)(dB)	1 max
Rejection(dB)	50 min @ 0.4MHz
VSWR	1.5 max
Connector	SMA-Female
Operating Temperature(°C)	-20 ~ +50
Storage Temperature(°C)	-30~+60
Net Weight(Kg)	0.025 Around

Outline Drawing (Size: mm)



Test Results

Temperature	Insertion Loss (dB)			Rejection (dB)	VSWR
	4MHz	3.6MHz	4.4MHz	0.4MHz	
Low Temperature	-0.64	-0.91	-0.98	-68.9	1.44
High Temperature	-0.72	-0.93	-1.26	-68.7	1.46
Room Temperature	-0.66	-0.94	-1.06	-68.8	1.45