



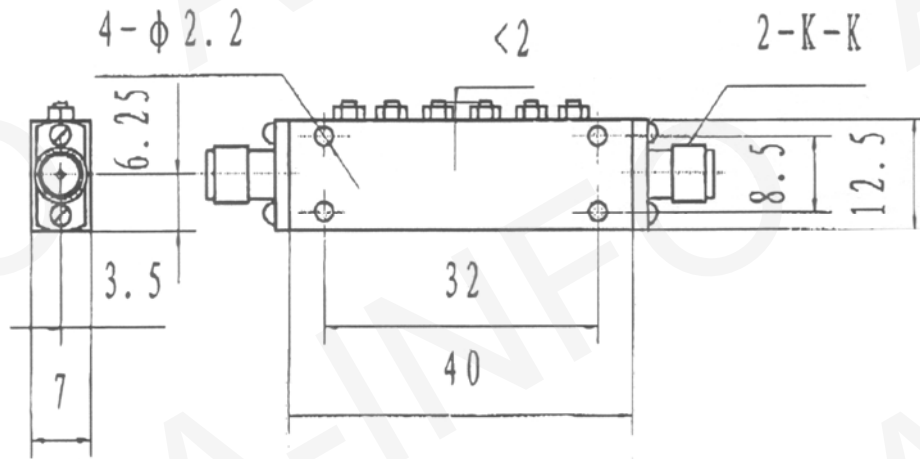
TEST REPORT
For
JXWBLB-T-BP-25000-2000-6CK



Technical Specification

Frequency Range(GHz)	24.0-26.0
Insertion Loss(dB)	3 max
Rejection(dB)	30 min@23GHz 30 min@27GHz
VSWR	2.5 max
Impedance(Ohms)	50
Connector	K-Female
Operating Temperature(°C)	-30~ +70
Net Weight(Kg)	0.05 Around

Outline Drawing (Size: mm)



Test Results

Temperature	Insertion Loss (dB)			Rejection (dB)		VSWR
	25GHz	24GHz	26GHz	23GHz	27GHz	
Low Temperature	-0.42	-1.15	-0.65	-45.5	-41.0	1.56
High Temperature	-0.53	-0.99	-0.83	-42.7	-43.7	1.57
Room Temperature	-0.45	-0.98	-0.71	-44.0	-42.2	1.54