



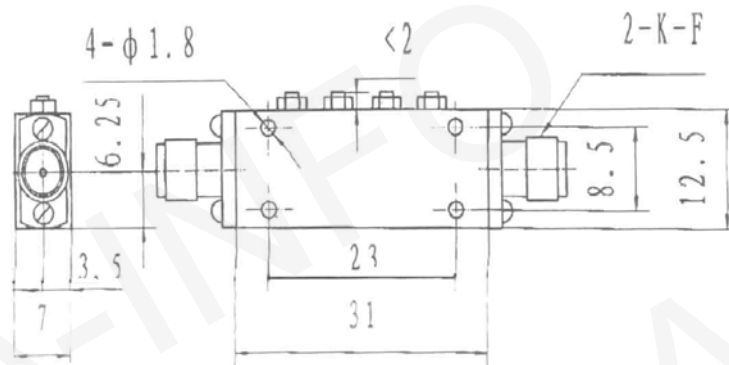
Test report is for reference only.

TEST REPORT
For
JXWBLB-T-BP-21820-800/T-4CK

Technical Specification

Frequency Range(GHz)	21.42 – 22.22
Center Frequency (f0) (GHz)	21.82
3dB Bandwidth(MHz)	800
Insertion Loss @ f0(dB)	3 max
Rejection(dB@ GHz)	40 min @ 19.28 40 min @ 24.44
VSWR	2.5 max @ f0
Impedance (Ohm)	50
In/Out Connector	2.92-Female
Operating Temperature(°C)	0 ~ +50
Net Weight(Kg)	0.025 Around

Outline Drawing (Size: mm)



Test Results

Temperature	Insertion Loss(dB)			3dB BW (MHz)	Rejection(dB)		VSWR
	21.82GHz	21.42GHz	22.22GHz		19.28GHz	24.44GHz	
Low Temperature	-0.65	-1.45	-0.90	936.14	-67.3	-68.8	1.57
High Temperature	-0.81	-1.05	-1.34	937.86	-65.2	-71.5	1.57
Normal Temperature	-0.73	-1.26	-1.02	929.15	-66.7	-70.1	1.61