



Test report is for reference only.

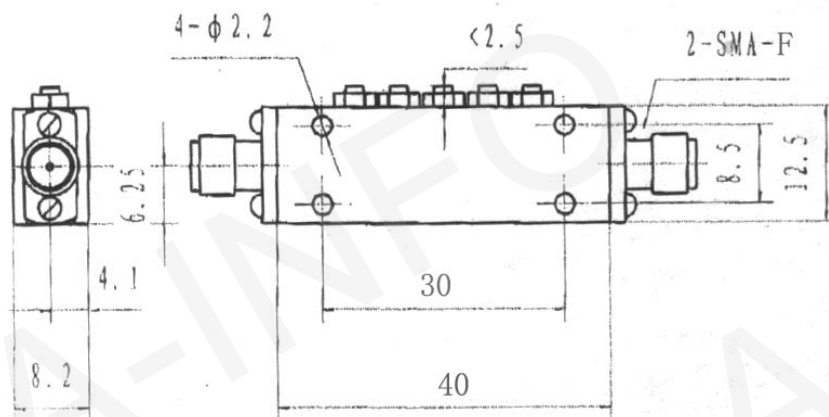
TEST REPORT
For
JXWBLB-T-BP-16750-2500/T-5CS



Technical Specification

Electrical Specifications(Temperature +25 °C)	
3dB Pass Band(GHz)	15.5-18
I.L.@ Center Frequency(F0)(dB)	1 max
Stage Number	5
Attenuation(dB)	45 min @ 8GHz 45 min @ 24GHz
VSWR	1.8:1 max
Connector	SMA-Female
Environmental Specifications	
Temperature Range(°C)	-40 ~ +70
Net Weight(Kg)	0.03 Around

Outline Drawing (Size: mm)



Test Results

Temperature	Frequency(F0) (GHz)	IL@F0 (dB)	3dB Band Width (MHz)	Rejection(dB)		VSWR
				8GHz	24GHz	
Low Temperature	16.75	-0.15	2669.45	-77.9	-78.1	1.60
High Temperature	16.75	-0.21	2653.72	-78.5	-79.9	1.61
Normal Temperature	16.75	-0.16	2660.95	-78.3	-79.5	1.60