



Test report is for reference only.

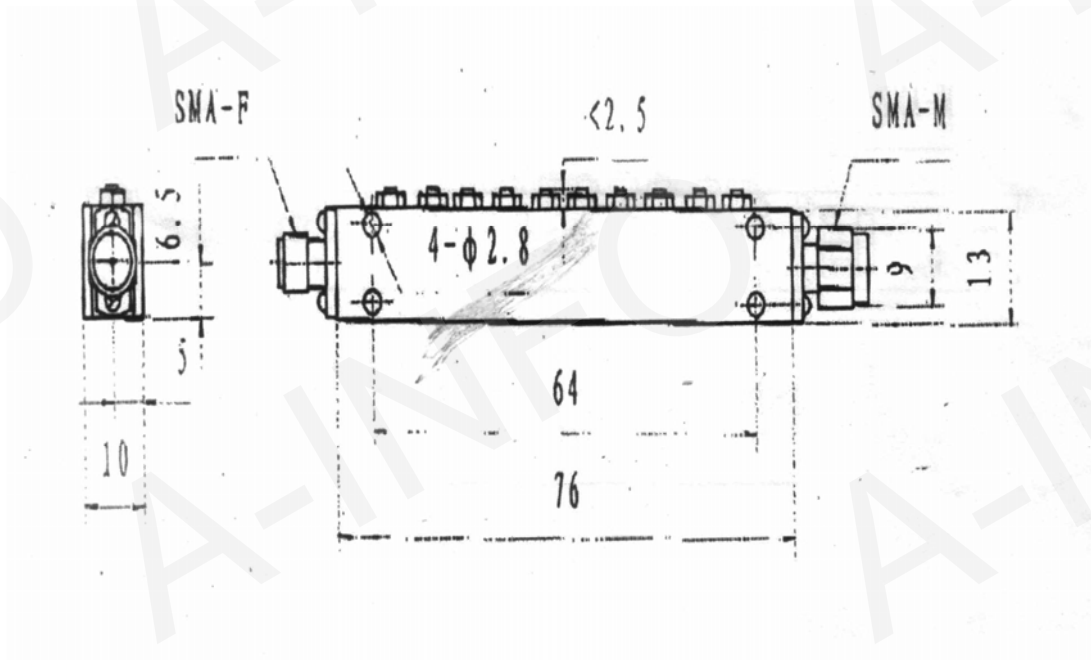
TEST REPORT
For
JXWBLB-T-BP-15000-2000-10CSMF



Technical Specification

Center Frequency (GHz)	15
1dB Bandwidth(GHz)	2.0
60dB Bandwidth(GHz)	3.0
I.L. at Center Frequency(dB)	1.0 max
VSWR	1.8 max
Input connector	SMA-Female
Output connector	SMA-Male
Temperature Range(°C)	- 30 ~ +70

Outline Drawing (Size: mm)



Test Results

Temperature	Insertion Loss(dB)			Stop Band(dB)		VSWR
	15.00GHz	14.00GHz	16.00GHz	13.50GHz	16.50GHz	
Low Temperature	0.40	1.37	1.33	61.90	60.10	1.8 max
High Temperature	0.48	1.03	1.46	60.30	60.40	1.8 max
Room Temperature	0.62	1.39	1.55	60.50	60.50	1.8 max