



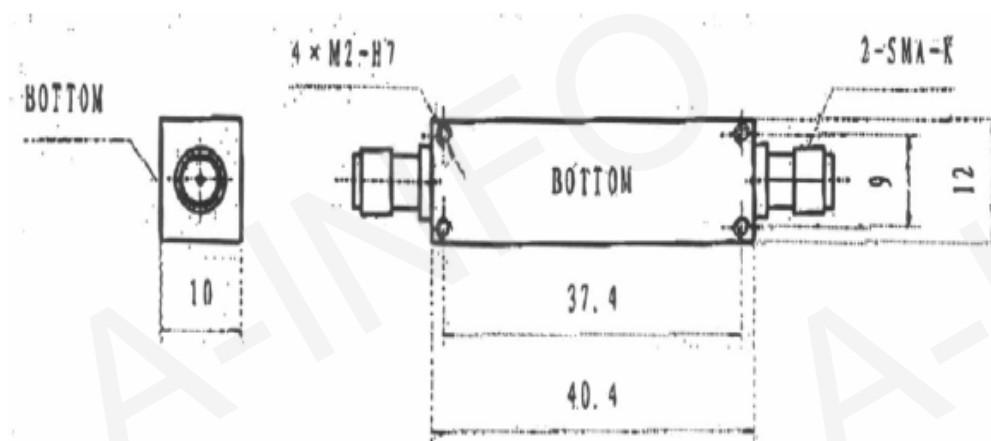
TEST REPORT
For
JXWBLB-T-BP-1500-1000-LS



Technical Specification

1dB Pass Band (MHz)	1000~2000
Center Frequency(MHz)	1500
1dB Bandwidth(MHz)	1000 min
I.L. at Center Frequency(dB)	0.7 max
Pass Band Loss(dB)	1.6 max
Stop Band 1(dB)	75 min @ 500 MHz
Stop Band 2(dB)	70 min @ 2500 MHz
VSWR	1.5 Typ.
Connector	SMA-Female
Net Weight(Kg)	0.02 Around

Outline Drawing (Size: mm)



Test Results

Temperature	Insertion Loss (dB)			Rejection (dB)		VSWR max
	1500 MHz	1000 MHz	2000 MHz	500 MHz	2500 MHz	
Low Temperature	-0.43	-0.93	-0.87	-76.9	-73.2	1.5
High Temperature	-0.49	-1.01	-0.96	-76.5	-72.6	1.5
Room Temperature	-0.48	-0.93	-0.92	-76.0	-72.5	1.5