

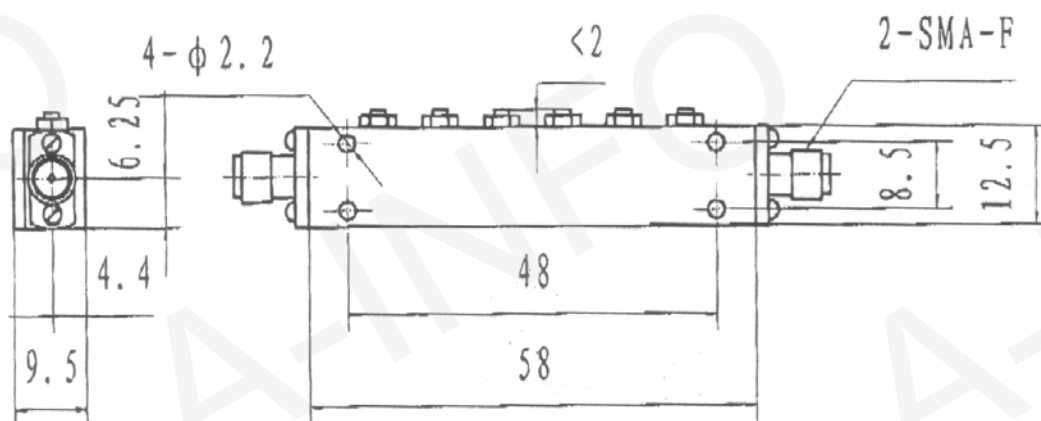


**TEST REPORT**  
**For**  
**JXWBLB-T-BP-14442.5-715-6CS**

## Technical Specification

Frequency Range(MHz)	14085-14800
Center Frequency (f0)( MHz)	14442.5
Insertion Loss @ f0(dB)	1.5 max
Poles	6
Rejection(dB)	30 min@f0±715MHz
VSWR	1.5 max
Power Handling(W)	10
Connectors	SMA-Female
Operating Temperature(°C)	-30 ~ +70
Storage Temperature(°C)	-55 ~ +85
Net Weight(Kg)	0.05 Around

## Outline Drawing (Size: mm)



## Test Results

Temperature	Insertion Loss(dB)			Rejection(dB)		VSWR
	14442.5MHz	14085MHz	14800MHz	13727.5MHz	15157.5MHz	
Low Temperature	-0.34	-0.81	-0.65	-38.5	-37.3	1.38
High Temperature	-0.43	-0.68	-0.79	-35.3	-40.2	1.40
Normal Temperature	-0.37	-0.73	-0.70	-36.9	-38.8	1.37