

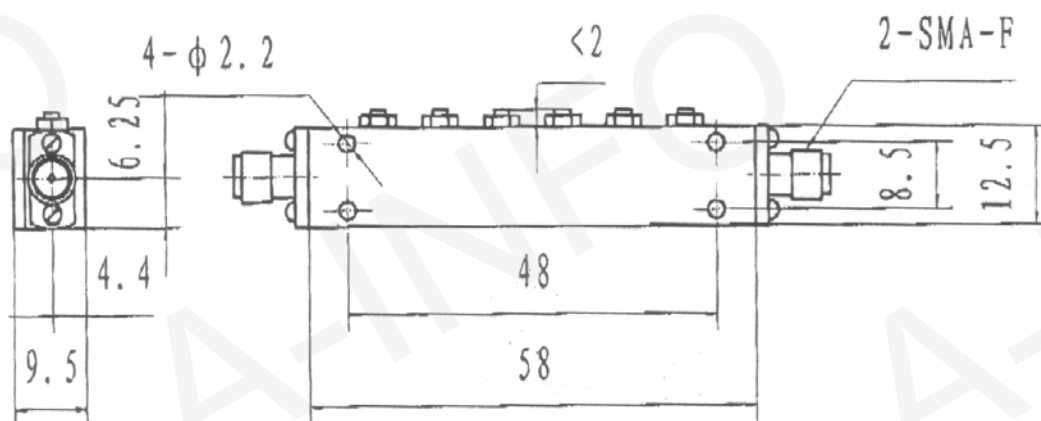


TEST REPORT
For
JXWBLB-T-BP-14022.5-355-6CS

Technical Specification

Frequency Range(MHz)	13845-14200
Center Frequency (f0)(MHz)	14022.5
Insertion Loss @ f0(dB)	2.0 max
Poles	6
Rejection(dB)	30 min@f0±355MHz
VSWR	1.5 max
Power Handling(W)	10
Connectors	SMA-Female
Operating Temperature(°C)	-30 ~ +70
Storage Temperature(°C)	-55 ~ +85
Net Weight(Kg)	0.05 Around

Outline Drawing (Size: mm)



Test Results

Temperature	Insertion Loss(dB)			Rejection(dB)		VSWR
	14022.5MHz	13845MHz	14200MHz	13667.5MHz	14377.5MHz	
Low Temperature	-0.67	-1.35	-1.38	-34.1	-31.8	1.46
High Temperature	-0.80	-1.20	-1.50	-31.2	-34.9	1.48
Normal Temperature	-0.72	-1.27	-1.44	-32.5	-33.4	1.47