



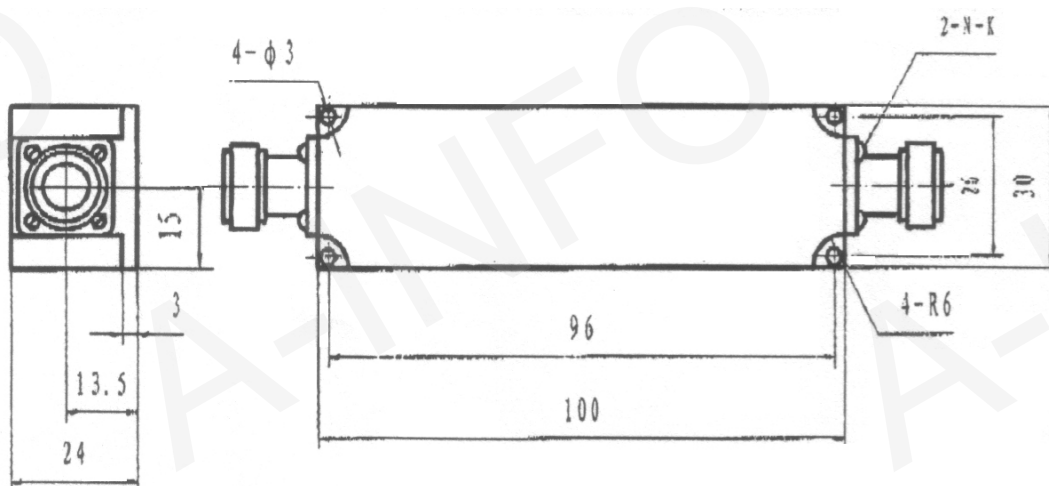
TEST REPORT
For
JXWBLB-T-BP-1297.5-725-10CS



Technical Specification

Frequency Range(MHz)	935-1660
Center Frequency (f0)(MHz)	1297.5
Insertion Loss @ f0(dB)	1 max
Poles	10
Rejection(dB)	60 min@595MHz 60 min@2000MHz
VSWR	1.5 max
Power Handling(W)	10
Connectors	SMA-Female
Operating Temperature(°C)	-30 ~ +70
Storage Temperature(°C)	-55 ~ +85
Net Weight(Kg)	0.25 Around

Outline Drawing (Size: mm)



Test Results

Temperature	Insertion Loss(dB)			Rejection(dB)		VSWR
	1297.5MHz	935MHz	1660MHz	595MHz	2000MHz	
Low Temperature	-0.25	-0.54	-0.65	-72.4	-73.7	1.37
High Temperature	-0.30	-0.63	-0.98	-74.8	-73.7	1.41
Normal Temperature	-0.27	-0.59	-0.77	-74.6	-72.0	1.40