



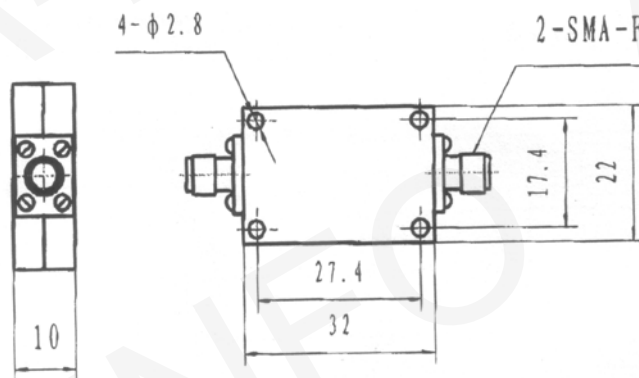
TEST REPORT
For
JXWBLB-T-BP-12-18-S



Technical Specification

3dB Pass Band(GHz)	12-18
1dB Pass Band(GHz)	12.6-17.1
Rejection(dB)	45dB min @ DC-10.2GHz 45dB min @ 20.7-22GHz
Average Power(W)	15
VSWR	2:1 max
Connector	SMA-Female
Net Weight(Kg)	0.025 Around

Outline Drawing (Size: mm)



Test Results

Temperature	3dB Pass Band (GHz)	Insertion Loss(dB)					Rejection(dB)		VSWR
		15 GHz	12.6 GHz	17.1 GHz	12 GHz	18 GHz	DC~10.2 GHz	20.7~22 GHz	
Low Temperature	12-18	-0.85	-1.11	-1.25	-1.60	-2.21	-48.8	-52.2	1.85
High Temperature	12-18	-0.94	-0.97	-1.39	-1.42	-2.45	-48.2	-52.6	1.84
Normal Temperature	12-18	-0.89	-1.02	-1.30	-1.49	-2.30	-47.6	-51.9	1.83