



Test report is for reference only.

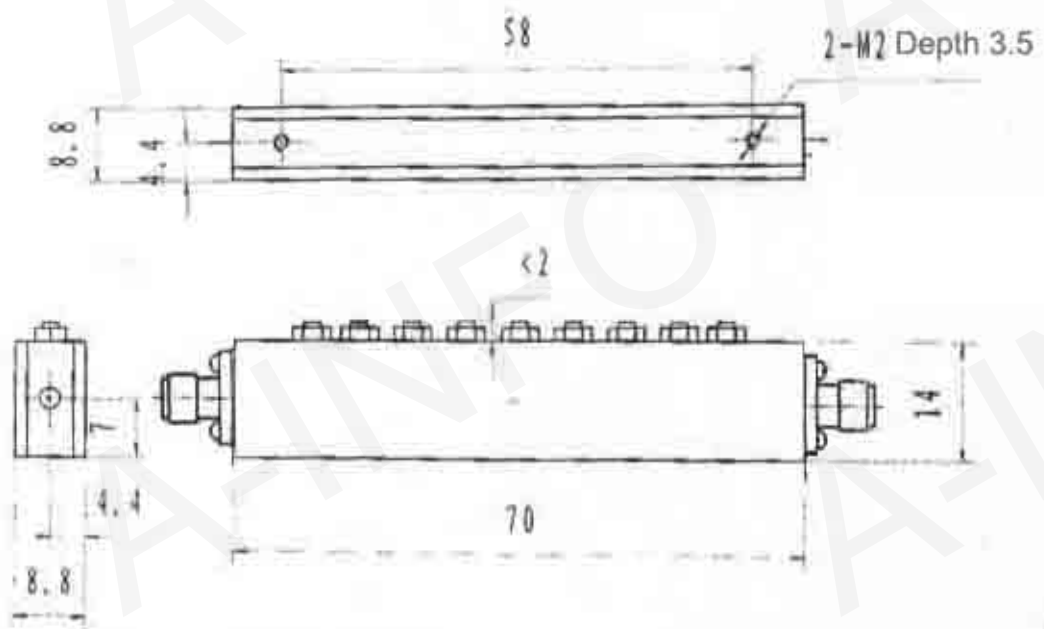
TEST REPORT
For
JXWBLB-T-BP-11500-1000-9CS



Technical Specification

1dB Pass Band(GHz)	11.0-12.0
Insertion Loss(dB)	1.5 max
Rejection(dB)	39 min @ 10.7GHz 42 min @ 12.3GHz
VSWR	1.5 max
Impedance(Ohms)	50
Connector	SMA-Female
Operating Temperature(°C)	-30 ~ +70
Net Weight(Kg)	0.07 Around

Outline Drawing (Size: mm)



Test Results

Temperature	Insertion Loss(dB)			Rejection(dB)		VSWR
	11.0GHz	11.5GHz	12.0GHz	10.7GHz	12.3GHz	
Low Temperature	-1.15	-0.42	-1.10	-47.5	-47.2	1.44
High Temperature	-0.94	-0.55	-1.26	-45.1	-48.8	1.45
Normal Temperature	-1.06	-0.44	-1.16	-46.4	-47.9	1.48