

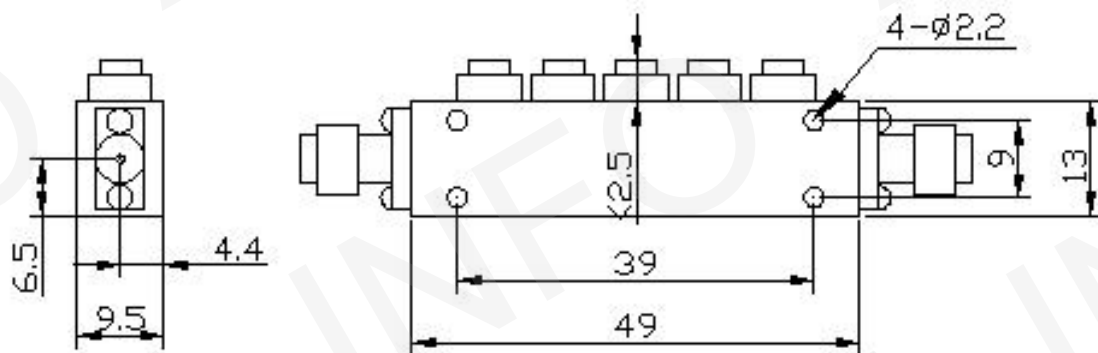


TEST REPORT
For
JXWBLB-T-BP-11300-224-5CS

Technical Specification

Center Frequency(GHz)	11.3
Bandwidth(MHz)	+/-112
Frequency Range(GHz)	11.188-11.412
Rejection(dB)	65 min @ F<10.4GHz 65 min @ F>12.176GHz
Insertion Loss(dB)	3.0 max
Return Loss(dB)	14 min
Impedance(Ohms)	50
Connector	SMA-Female
Operating Temperature(°C)	-10 ~ +50
Net Weight(Kg)	0.04 Around

Outline Drawing (Size: mm)



Test Results

Temperature	Insertion Loss (dB)			Rejection (dB)		Return Loss (dB)
	11.3GHz	11.188GHz	11.412GHz	10.4GHz	12.176GHz	
Low Temperature	-0.93	-1.20	-1.28	-81.0	-79.8	15.1
High Temperature	-1.02	-1.32	-1.45	-80.5	-81.1	15.0
Room Temperature	-0.99	-1.25	-1.33	-80.7	-80.5	15.2