



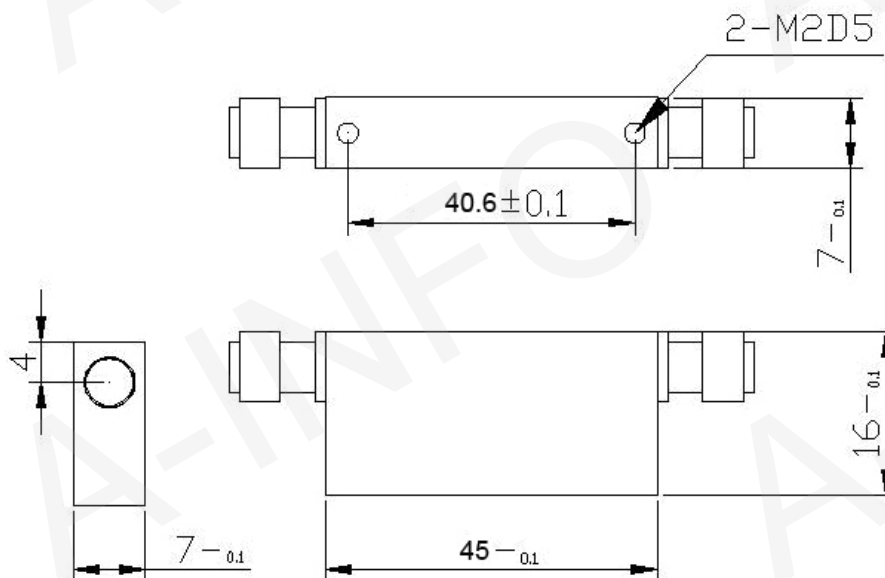
TEST REPORT
For
JXWBLB-T-BP-1000-24-CES



Technical Specification

Center Frequency(MHz)	1000
Bandwidth(MHz)	+/-12
Frequency Range(MHz)	988-1012
Rejection(dB)	70 min @ F<944MHz (Including 48-68MHz) 67 min @ F>1036MHz
Insertion Loss(dB)	4.5 max
Return Loss(dB)	14 min
Impedance(Ohms)	50
Connector	SMA-Female
Operating Temperature(°C)	-10 ~ +50
Net Weight(Kg)	0.02 Around

Outline Drawing (Size: mm)



Test Results

Temperature	Insertion Loss (dB)			Rejection (dB)		Return Loss(dB)
	1000MHz	988MHz	1012MHz	944MHz	1036MHz	
Low Temperature	-3.65	-1.35	-4.53	-87.7	-68.0	22.3
High Temperature	-4.24	-4.93	-5.36	-86.2	-69.1	22.2
Room Temperature	-3.89	-1.61	-4.91	-87.9	-68.6	22.4