



Test report is for reference only.

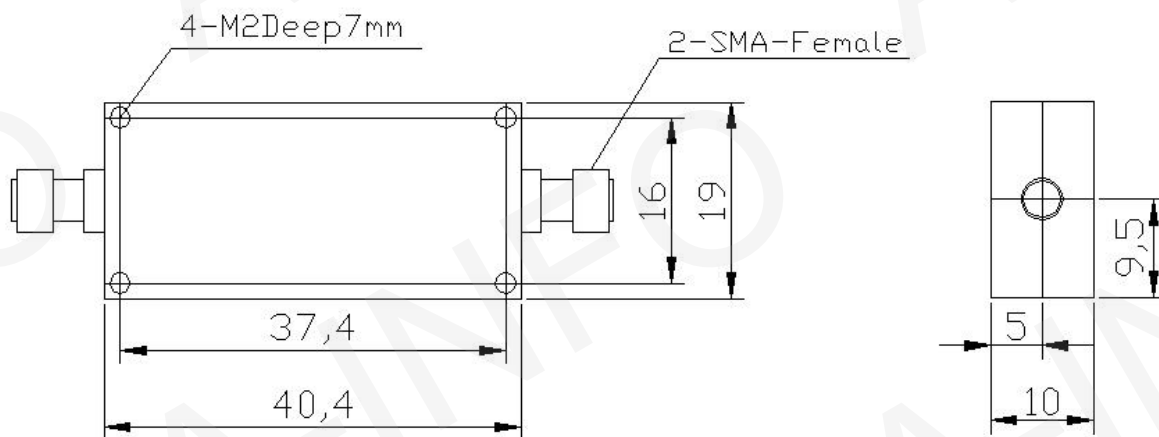
**TEST REPORT**  
**For**  
**JXWBLB-T-BP-10-2-LS**



## Technical Specification

|                            |               |
|----------------------------|---------------|
| Center Frequency (f0)(MHz) | 10            |
| 1dB Band Width(MHz)        | 2min          |
| Insertion Loss (f0)(dB)    | 1 max         |
| Rejection(dB)              | 50 min @ 1MHz |
| VSWR                       | 1.5 max       |
| Connector                  | SMA-Female    |
| Operating Temperature(°C)  | -20 ~ +50     |
| Storage Temperature(°C)    | -30~+60       |
| Net Weight(Kg)             | 0.025 Around  |

## Outline Drawing (Size: mm)



## Test Results

| Temperature      | Insertion Loss (dB) |       |       | Rejection (dB) | VSWR |
|------------------|---------------------|-------|-------|----------------|------|
|                  | 10MHz               | 9MHz  | 11MHz | 1MHz           |      |
| Low Temperature  | -0.35               | -0.51 | -0.40 | <-75           | 1.28 |
| High Temperature | -0.44               | -0.52 | -0.51 | <-75           | 1.30 |
| Room Temperature | -0.40               | -0.52 | -0.44 | <-75           | 1.29 |