



Test report is for reference only.

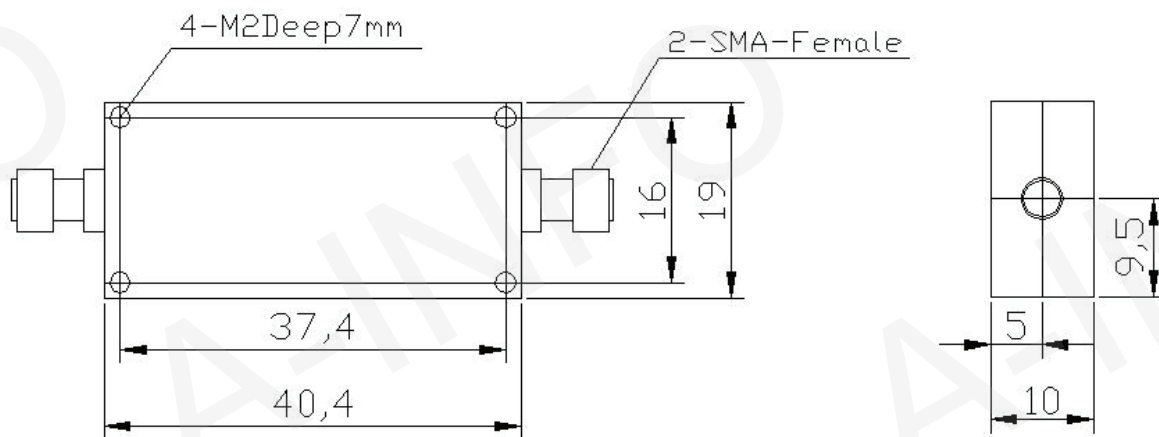
TEST REPORT
For
JXWBLB-T-BP-1-0.2-LS



Technical Specification

Center Frequency (f0)(MHz)	1
1dB Band Width(MHz)	0.2 min
Insertion Loss (f0)(dB)	1 max
Rejection(dB)	40 min @ 0.3MHz
	50 min @ 0.1MHz
VSWR	1.5 max
Connector	SMA-Female
Operating Temperature(°C)	-20 ~ +50
Storage Temperature(°C)	-30~+60
Net Weight(Kg)	0.025 Around

Outline Drawing (Size: mm)



Test Results

Temperature	Insertion Loss (dB)			Rejection(dB)	VSWR
	1MHz	0.9MHz	1.1MHz	0.3MHz	
Low Temperature	-0.68	-1.00	-1.32	-62.8	1.68
High Temperature	-0.73	-1.04	-1.55	-62.3	-1.71
Room Temperature	-0.71	-1.03	-1.42	-62.6	1.69