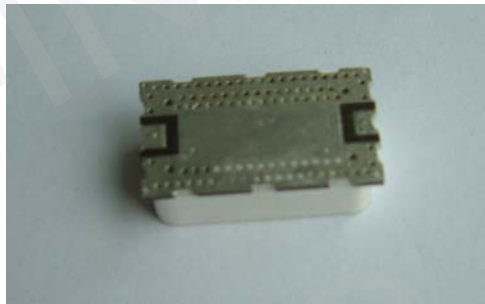




Test report is for reference only.

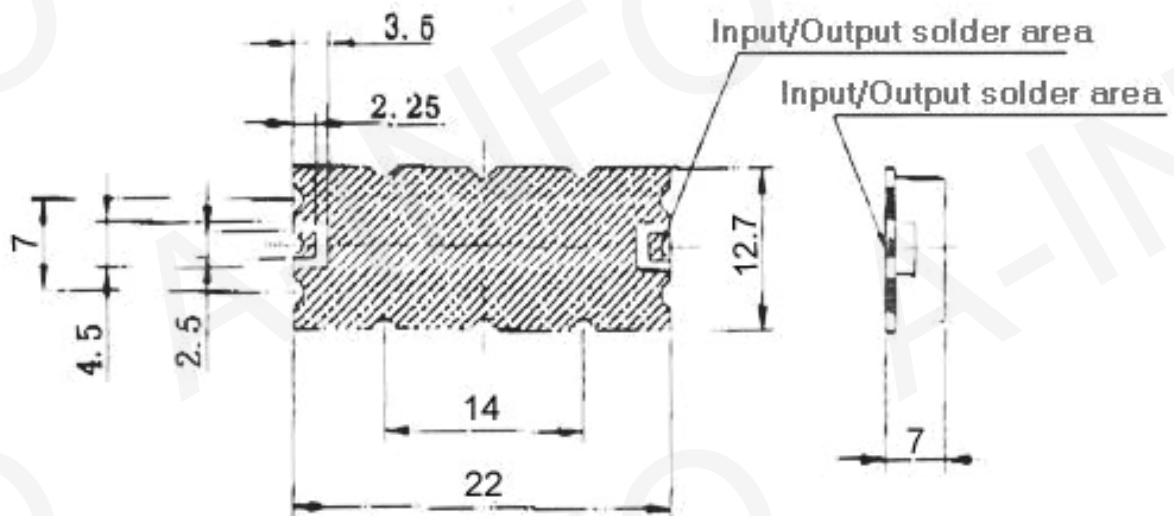
TEST REPORT
for
JXWBLB-S-BP-50-4



Technical Specification

Center Frequency(MHz)	50
0.5dB Bandwidth(MHz)	±2 min
Insertion Loss(dB)	2 max
20dB Bandwidth(MHz)	±15 max
Power(dBm)	Sustain1 Power
Impedance(ohms)	50 (in & out)
Connector	SMT
Operating Temperature(°C)	0 ~ 70
Size(mm)	22 x 12.7 x 7
Net Weight(Kg)	0.0025 Around

Outline Drawing



Test Instruments

➤ AV3620

Test Results

Temperature (°C)	Insertion Loss (dB)			34MHz Rejection (dB)	60MHz Rejection (dB)	VSWR
	48MHz	50MHz	52MHz	25dBc min	25dBc min	1.5 max
Room	1.50	1.47	1.63	35.0	38.0	1.35
Low	1.52	1.50	1.65	35.0	25.1	1.38
High	1.59	1.57	1.77	34.9	38.9	1.48