



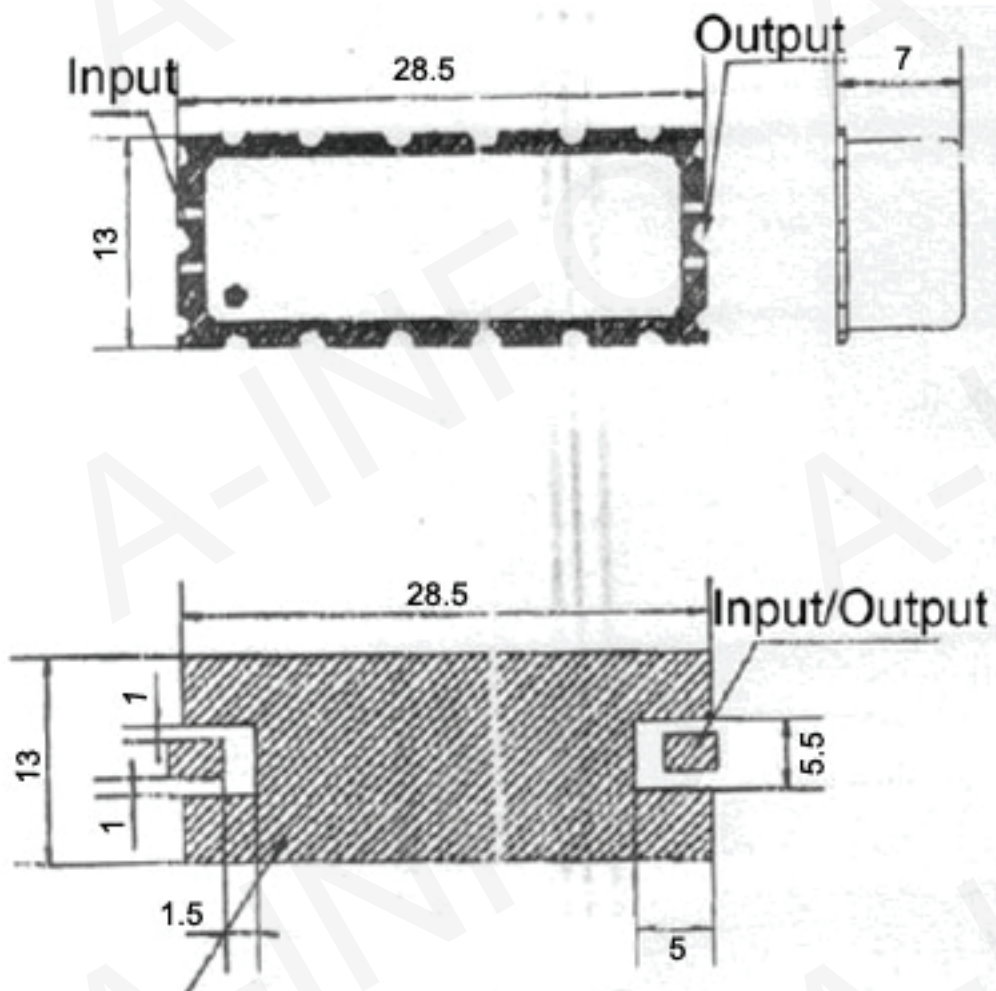
Test report is for reference only.

TEST REPORT
for
JXWBLB-S-BP-363.5-396.5

Technical Specification

Center Frequency(MHz)	380
3dB Bandwidth(MHz)	363.5-396.5(33MHz)
I.L. at Center Frequency(dB)	2.0
Stop Band(dB)	40 min@312.5MHz
	40 min@562MHz
VSWR	1.5 Typ.
Temperature Range(°C)	-40 ~ +80
Size(mm)	28.5X13x7

Outline Drawing (Size: mm)



Test Instruments

➤ HP8714B

Test Results

I.L. at Center Frequency(dB)	3dB Bandwidth(MHz)	Stop Band @312.5MHz(dB)	Stop Band @562MHz(dB)	VSWR
1.80	35.60	48.00	45.00	1.35