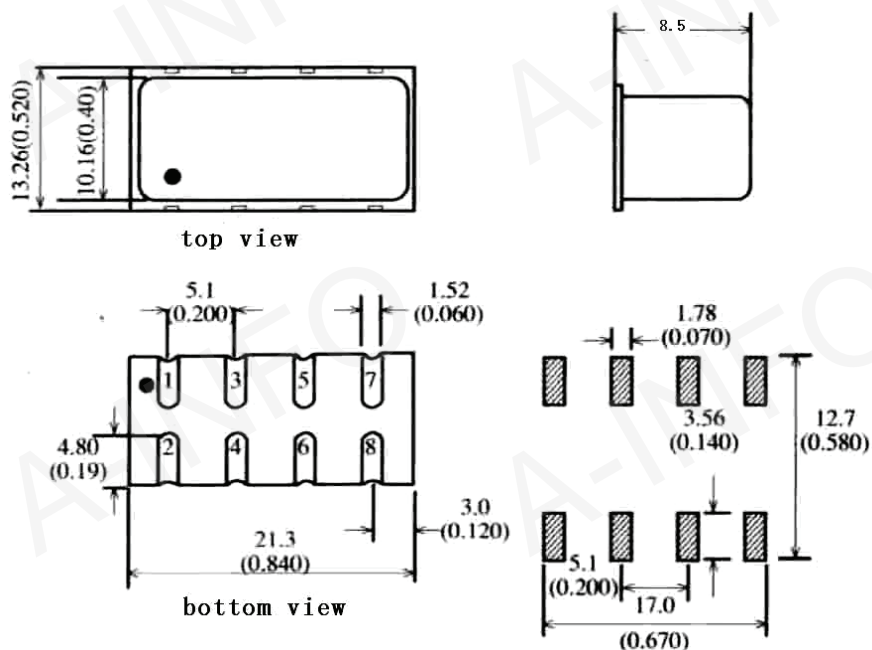


Outline Drawing (Size: mm)



Technical Specification

Item	Technical Specification	Test Results
Center Frequency(MHz)	160	160
Insertion Loss at F0(dB)	2 max	1.80 max
3dB Bandwidth(MHz)	144-176	144-176
Rejection(dB)	40 min@125 & 202MHz	49.5 min@125 & 202MHz
VSWR	1.7 Typ.	1.7 Typ.
Operating Temperature(°C)	-40 ~ +80	-40 ~ +80