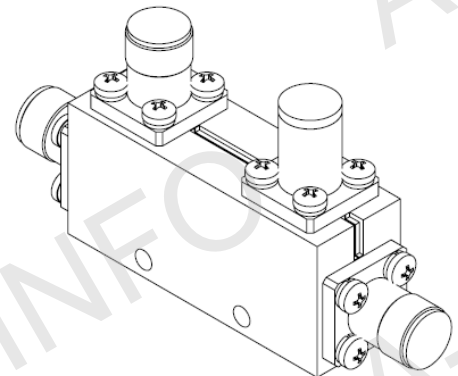
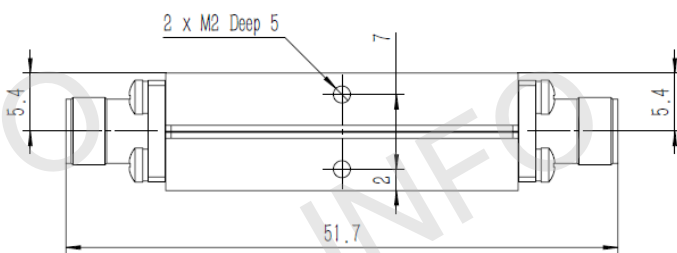
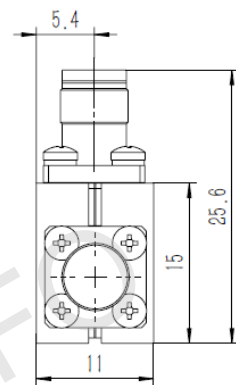
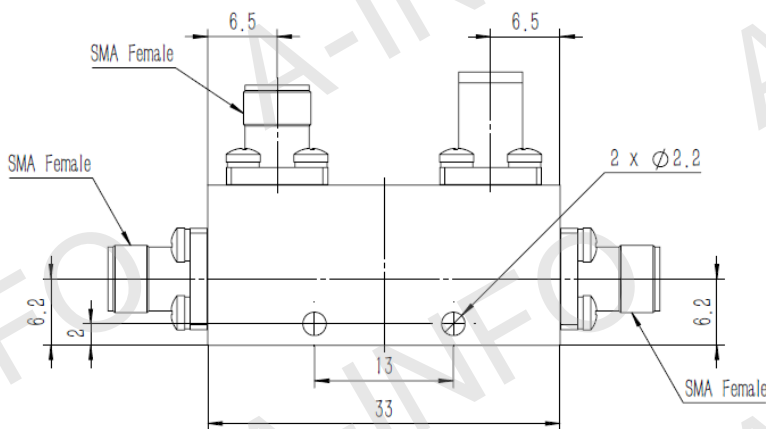


Technical Specification



Freq. Range(GHz)	9.0-10.0
Coupling(dB)	10
Accuracy(dB)	±1.0 Max.
Directivity(dB)	12 Min.
Mainline VSWR	1.5:1 Max.
Coupled VSWR	1.5:1 Max.
Insertion Loss(dB)	1.0 Max. (Not including the theoretical loss 0.46dB)
Average Power(W)	20
Peak Power(KW)	3
Connectors	SMA-Female
Operating Temp.(°C)	-55~+85
Material	Al
Size(mm)	51.7 x 11 x 25.6
N. W.(Kg)	0.02 Around

Outline Drawing (Size: mm)



AINFO Inc.

Page 1 of 3

China(Beijing):
China(Chengdu):
USA :

Tel: (+86) 10-6266-7326,
Tel: (+86) 28-8519-2786,
Tel: (+1) 949-639-9688,

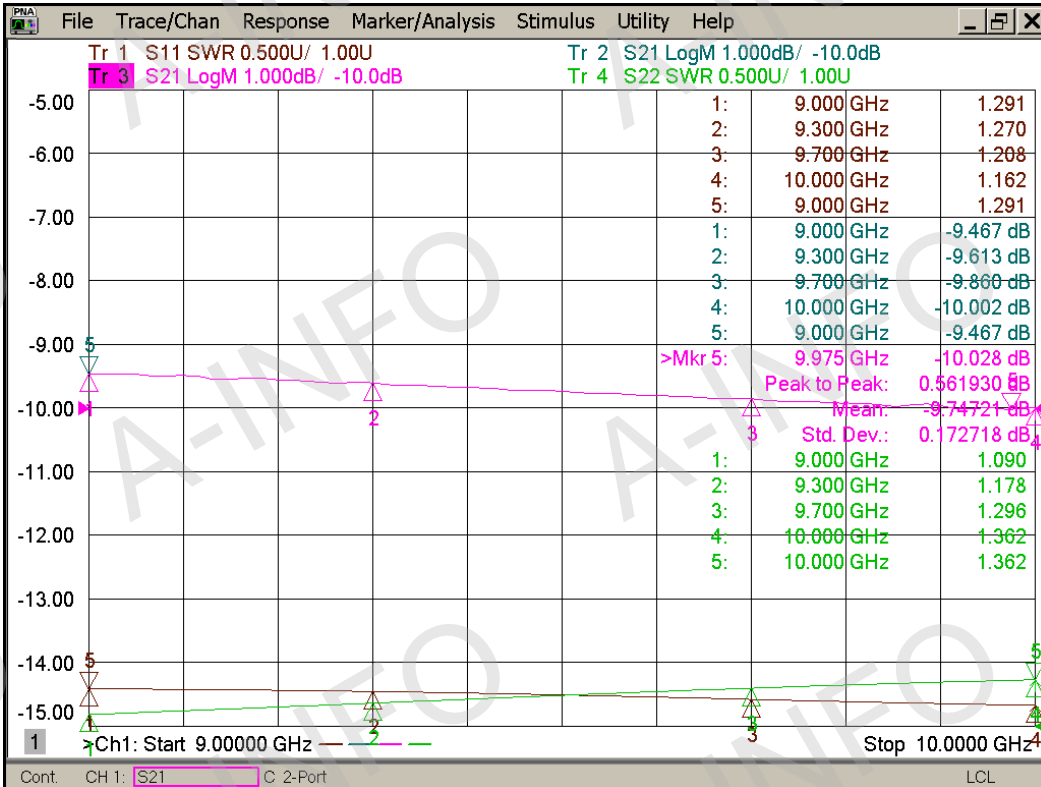
(+86) 10-6266-7327
(+86) 28-8519-3044
(+1) 949-639-9608

Fax: (+86) 10-6266-7379
Fax: (+86) 28-8519-3068
Fax: (+1) 949-639-9670

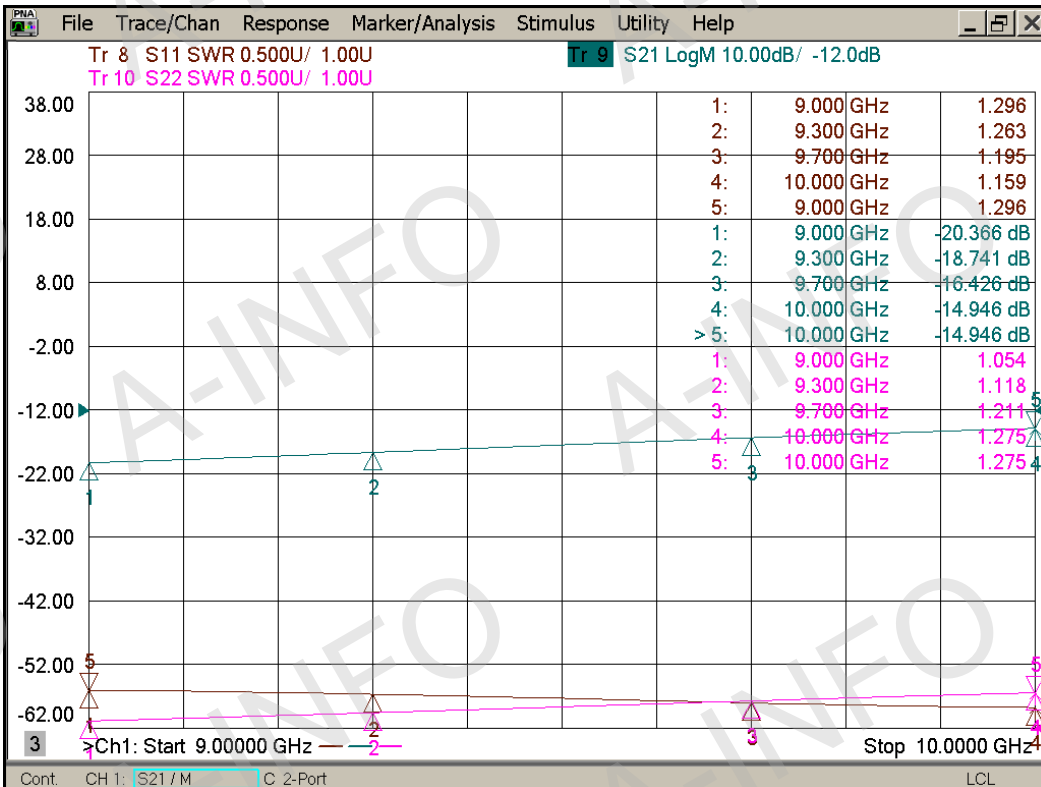
Website: www.ainfoinc.com
Email: sales@ainfoinc.com

Test Results

Coupling



Directivity



VSWR & I.L. (Including the theoretical loss 0.46dB)

