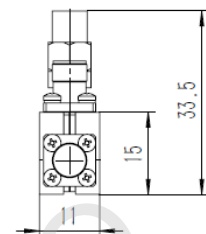
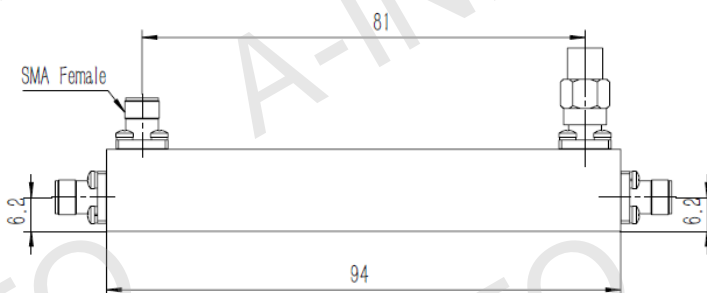
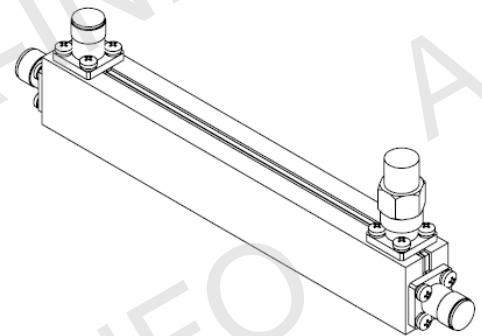
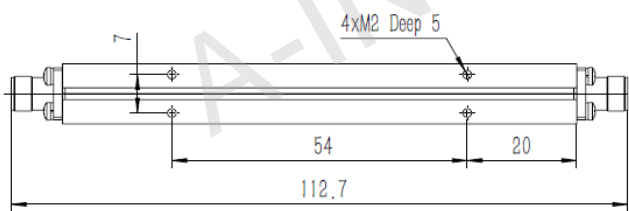


## Technical Specification



Freq. Range(GHz)	0.6-4.0
Coupling(dB)	10
Accuracy(dB)	±1.5 Max.
Directivity(dB)	18 Min.
Mainline VSWR	1.3:1 Max.
Coupled VSWR	1.3:1 Max.
Insertion Loss(dB)	1.0 Max. (Not including the theoretical loss 0.46dB)
Average Power(W)	20
Peak Power(KW)	3
Connectors	SMA-Female
Operating Temp.	-55°C~+85°C
Material	Al
Size(mm)	112.7 x 11 x 33.5
Net Weight(Kg)	0.05 Around

## Outline Drawing (Size: mm)



AINFO Inc.

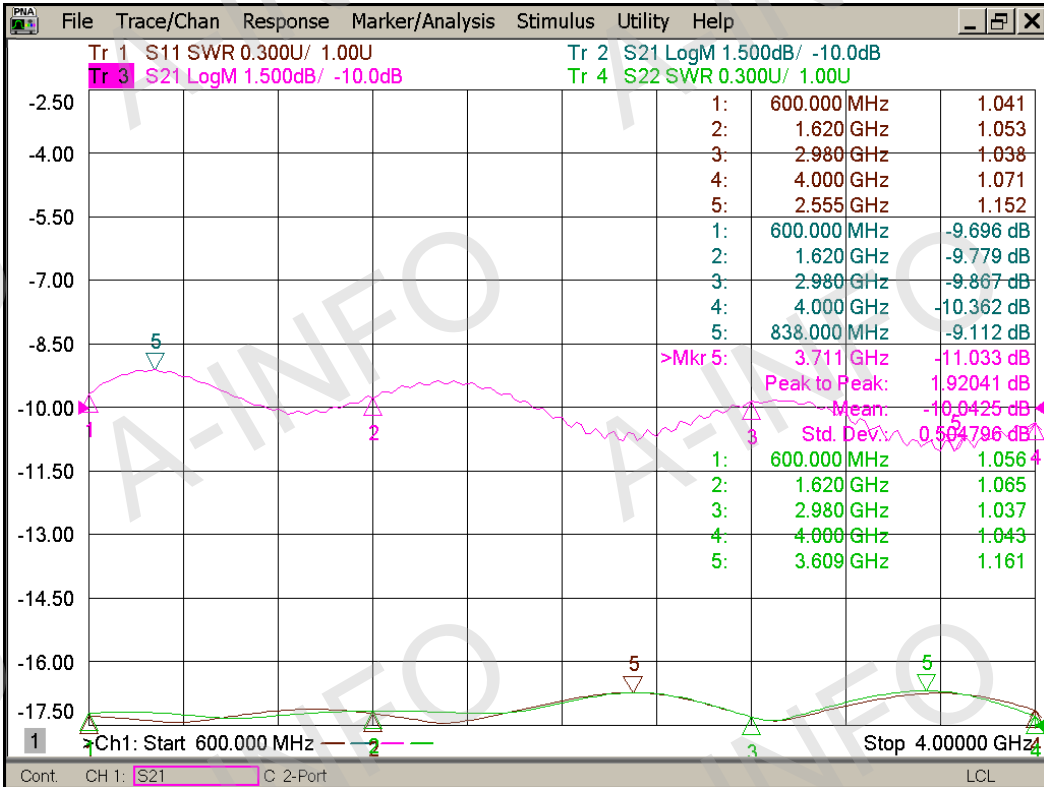
Page 1 of 3

China(Beijing): Tel: (+86) 10-6266-7326, (+86) 10-6266-7327 Fax: (+86) 10-6266-7379  
 China(Chengdu): Tel: (+86) 28-8519-2786, (+86) 28-8519-3044 Fax: (+86) 28-8519-3068  
 USA: Tel: (+1) 949-639-9688, (+1) 949-639-9608 Fax: (+1) 949-639-9670

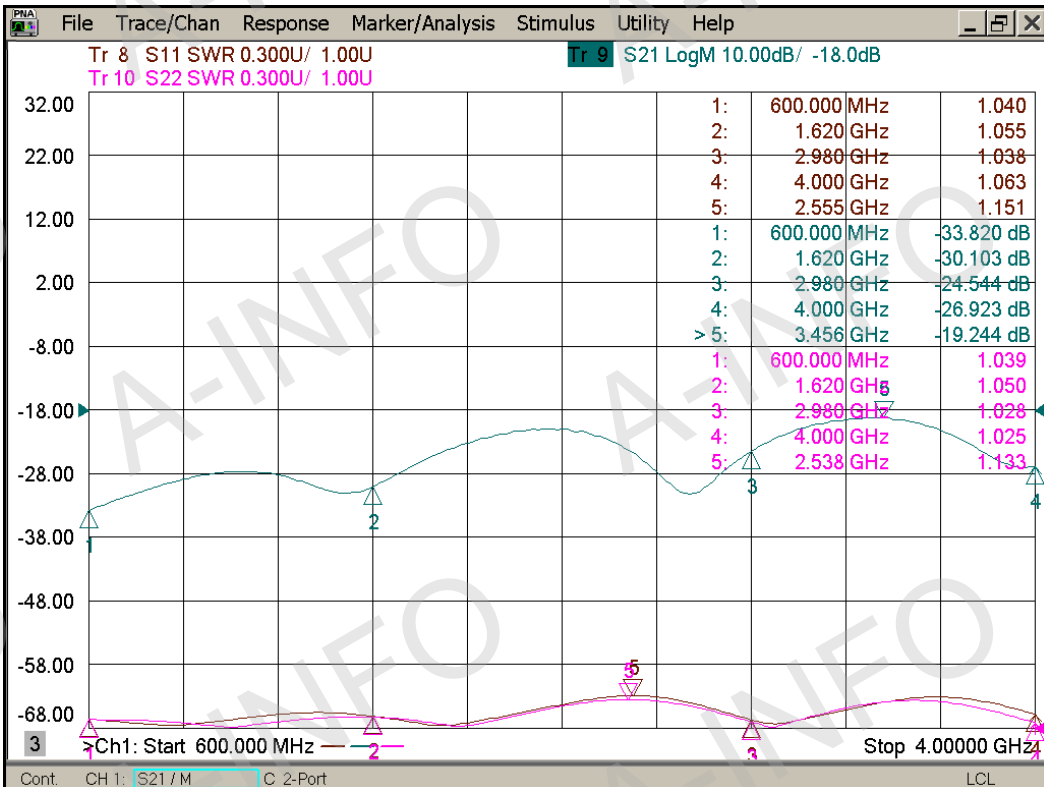
Website: [www.ainfoinc.com](http://www.ainfoinc.com)  
 Email: [sales@ainfoinc.com](mailto:sales@ainfoinc.com)

## Test Results

### Coupling



### Directivity



## Insertion Loss(Including the theoretical loss 0.46dB)

