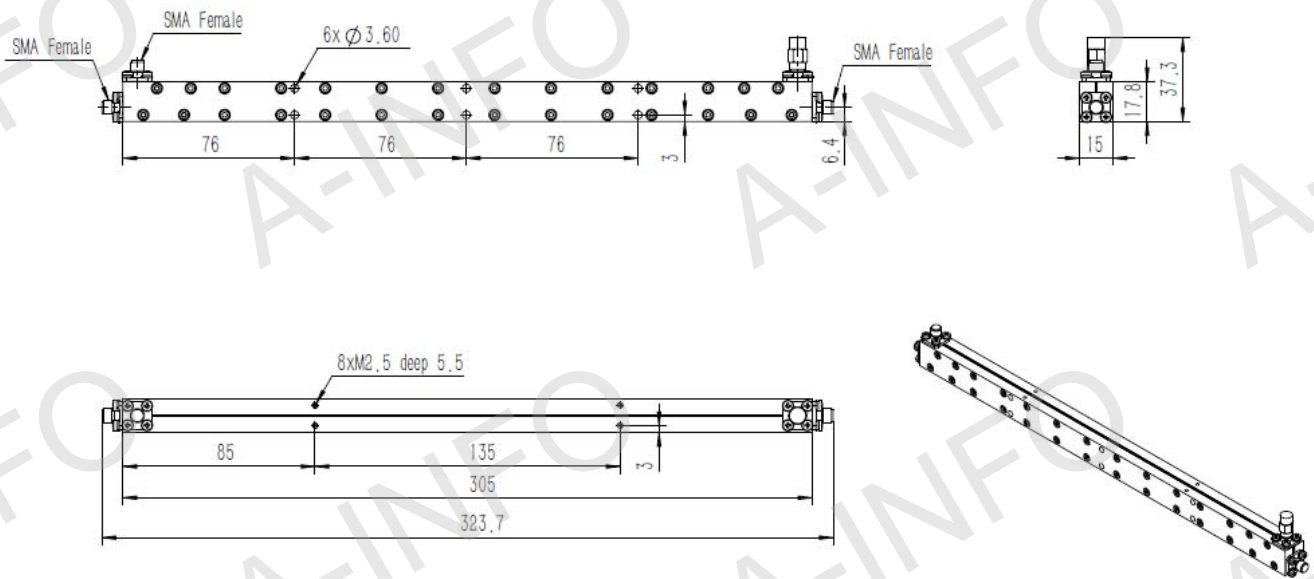


## Technical Specification



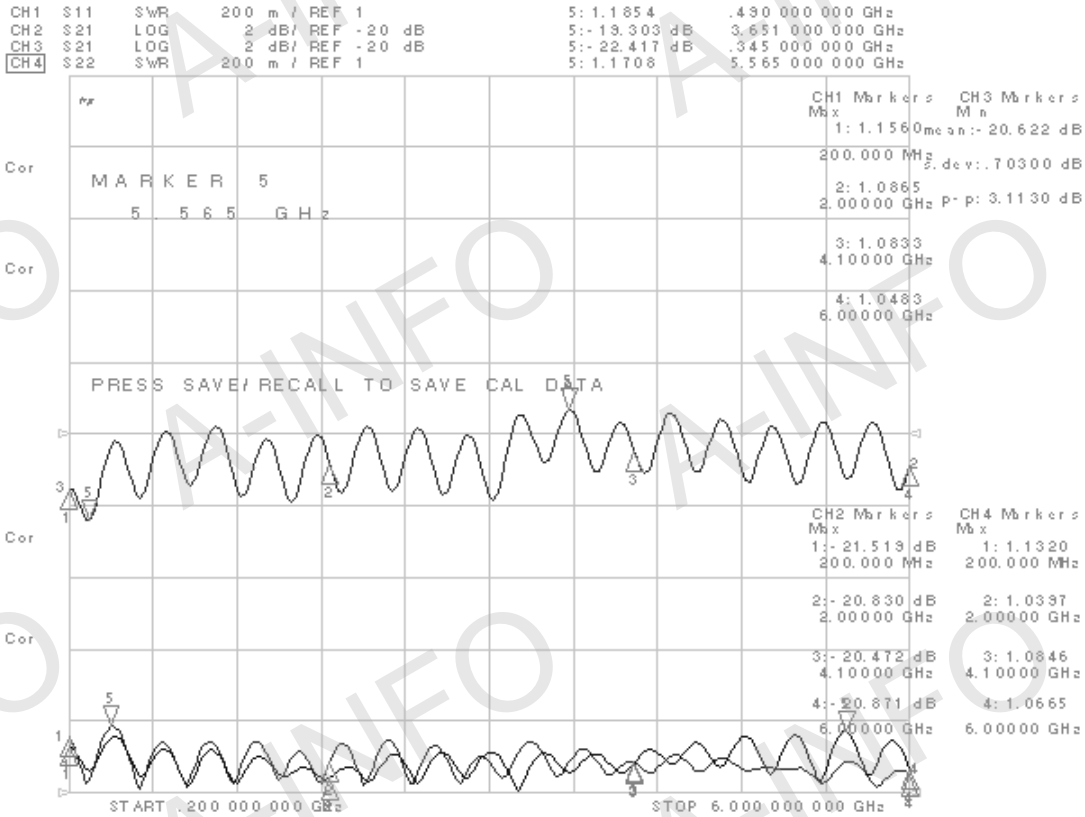
Freq. Range(GHz)	0.2-6.0
Coupling(dB)	20
Accuracy(dB)	±0.8 Max.
Directivity	17dB Min. @ -55°C~+30°C
Mainline VSWR	1.2 Max.
Coupled VSWR	1.2 Max.
Insertion Loss(dB)	1.5 Max.
Average Power(W)	20
Peak Power(KW)	3
Connectors	SMA-Female
Operating Temp.	-35°C~+105°C

## Outline Drawing (Size: mm)

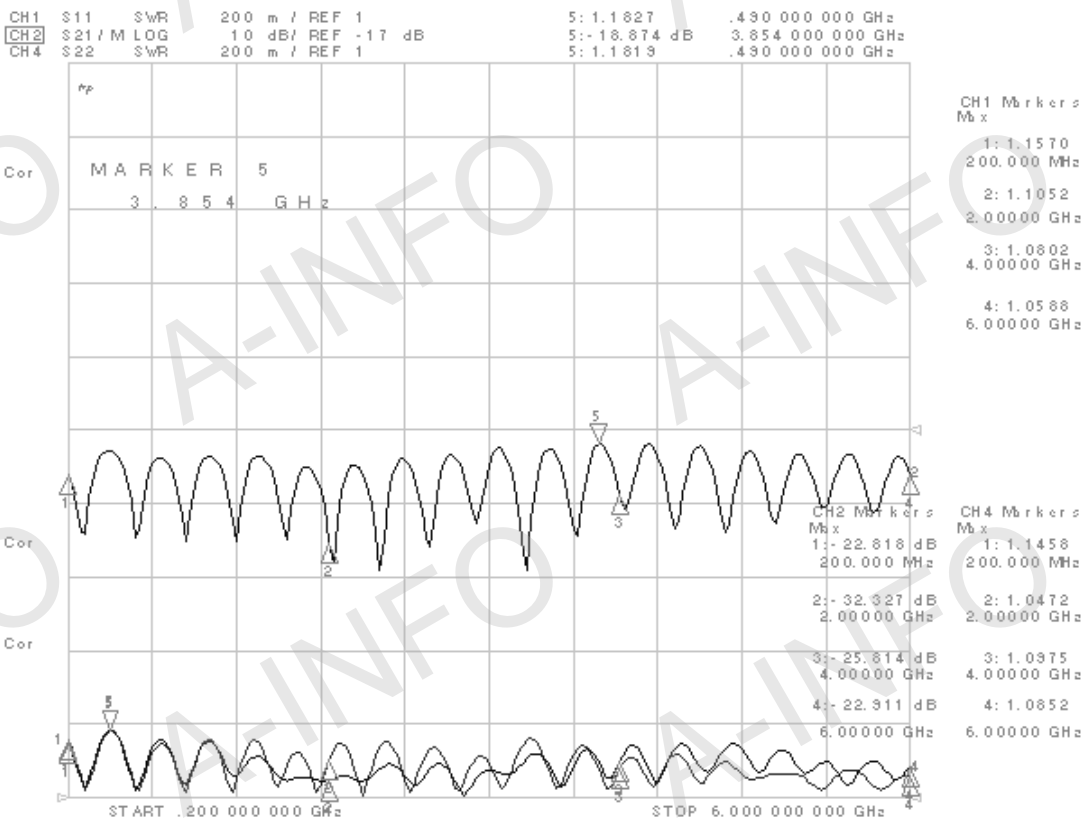


## Test Results

### Coupling



### Directivity



## Insertion Loss

