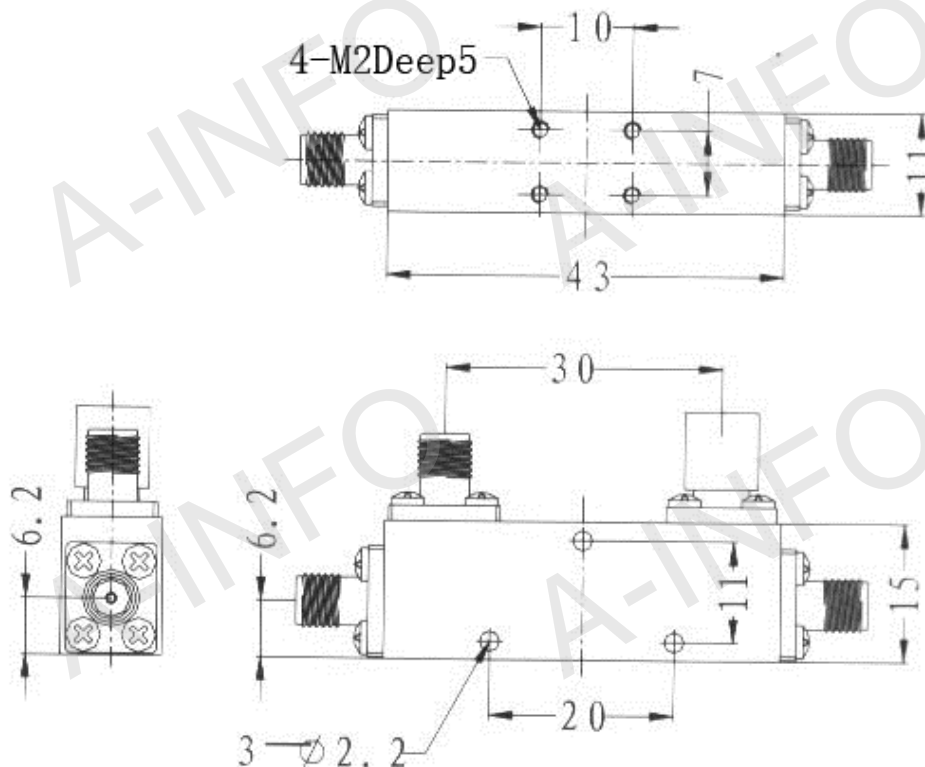


## Technical Specification



Freq. Range(GHz)	2.0-8.0
Coupling(dB)	20
Accuracy(dB)	±1 Max
Directivity(dB)	20 Min.
Main VSWR	1.25:1 Max.
Coupled VSWR	1.25:1 Max.
Insertion Loss(dB)	0.5 Max.
Power Handling	50W
Connector	SMA-Female
Operating Temp.	-40°C~+70°C

## Outline Drawing (Size: mm)



### AINFO Inc.

China(Beijing): Tel: (+86) 10-6266-7326,  
China(Chengdu): Tel: (+86) 28-8519-2786,  
USA: Tel: (+1) 949-346-7326,

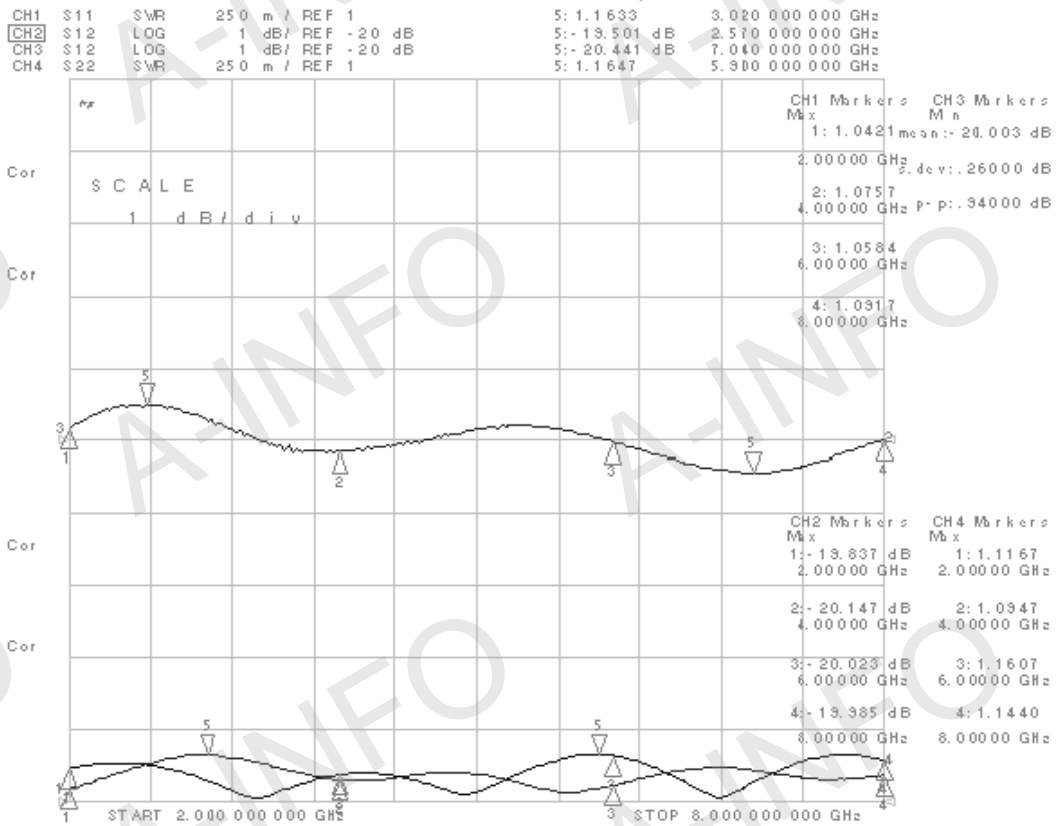
Page 1 of 3

(+86) 10-6266-7327 Fax: (+86) 10-6266-7379  
(+86) 28-8519-3044 Fax: (+86) 28-8519-3068  
(+1) 949-639-9660 Fax: (+1) 949-639-9659

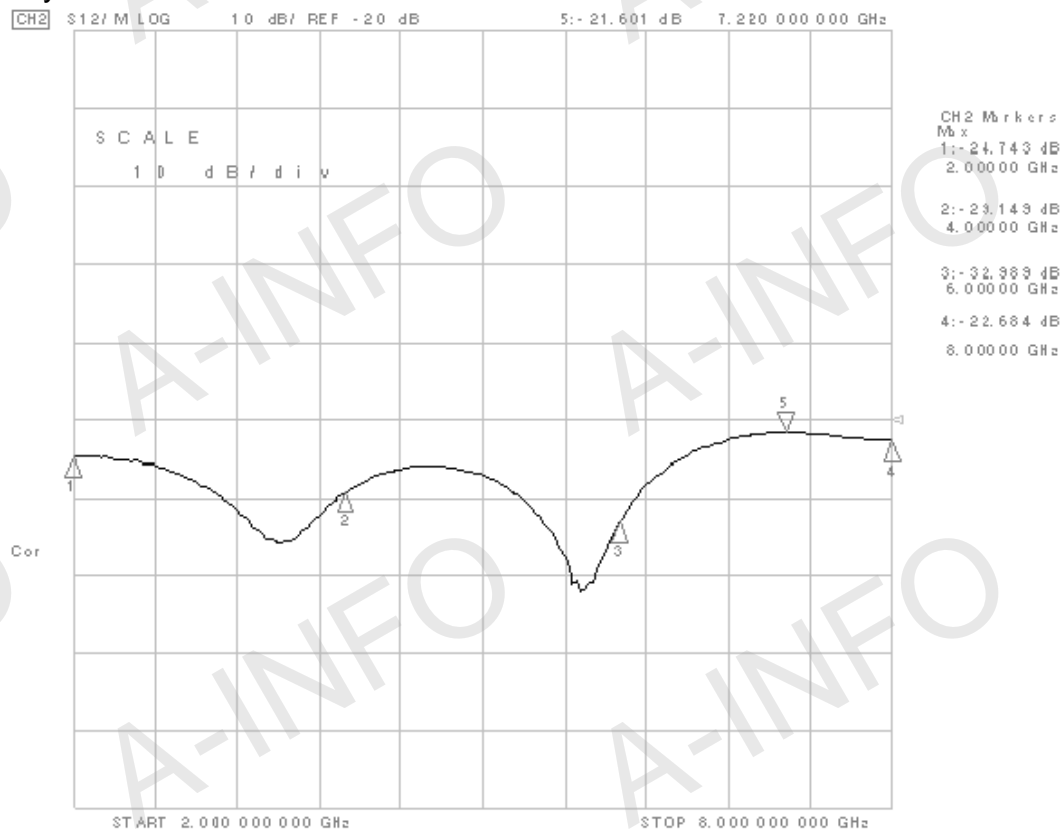
Website: [www.ainfoinc.com](http://www.ainfoinc.com)  
Email: [sales@ainfoinc.com](mailto:sales@ainfoinc.com)

## Test Results

### 1. Coupler



### 2. Directivity



**AINFO Inc.**

China(Beijing):  
China(Chengdu):  
USA:

Tel: (+86) 10-6266-7326,  
Tel: (+86) 28-8519-2786,  
Tel: (+1) 949-346-7326,

Page 2 of 3

(+86) 10-6266-7327  
(+86) 28-8519-3044  
(+1) 949-639-9660

Fax: (+86) 10-6266-7379  
Fax: (+86) 28-8519-3068  
Fax: (+1) 949-639-9659

Website: [www.ainfoinc.com](http://www.ainfoinc.com)  
Email: [sales@ainfoinc.com](mailto:sales@ainfoinc.com)

### 3. Insertion Loss & VSWR

