



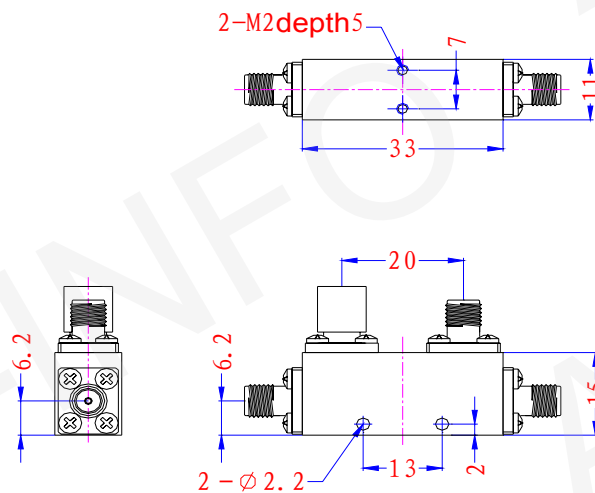
Test report is for reference only.

**TEST REPORT**  
**For**  
**JXWBOH-T-4000-18000-20**

## Technical Specification

Freq. range(GHz)	4-18
Nominal Coupling(dB)	20 Typ.
Coupling Accuracy(dB)	±1 max
Coupling Sensitivity to Freq. (dB)	±1 max
Insertion Loss(dB)	1.0 max
Directivity(dB)	12 Typ.
VSWR	1.50 max
Operating Temp. Range(°C)	-55~+70
Impedance( $\Omega$ )	50
Connectors	SMA-Female
Net Weight(Kg)	0.025 Around

## Outline Drawing (Size: mm)



## Test Results

Coupling(dB)	Insertion Loss(dB)	VSWR	Flatness(dB)	Directivity(dB)
19.8	0.52	1.41	±0.7	14.0