



Test report is for reference only.

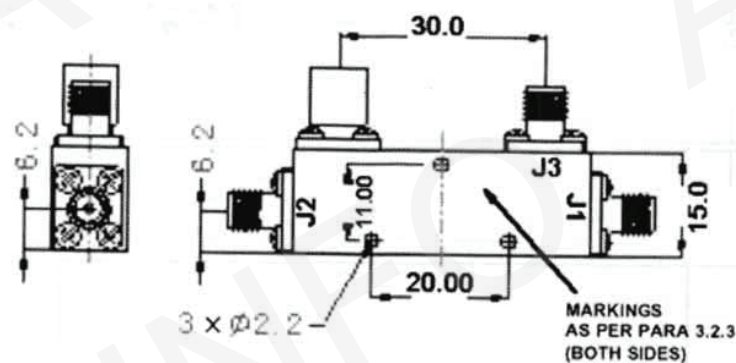
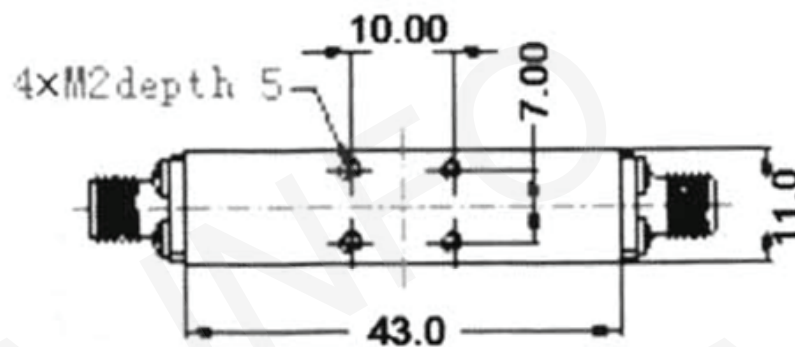
**TEST REPORT**  
for  
**JXWBOH-T-4-6-20**



## Technical Specification

Frequency Range(GHz)	4~6
Coupling(dB)	20 ±0.5
Insertion Loss(dB)	0.3 max
VSWR	1.25:1 max
Directivity(dB)	20
RF Power(W)	20 Peak,2 Average
Connector	SMA-Female
Size(mm)	43 x 15 x 11
Net Weight(Kg)	0.044 Around

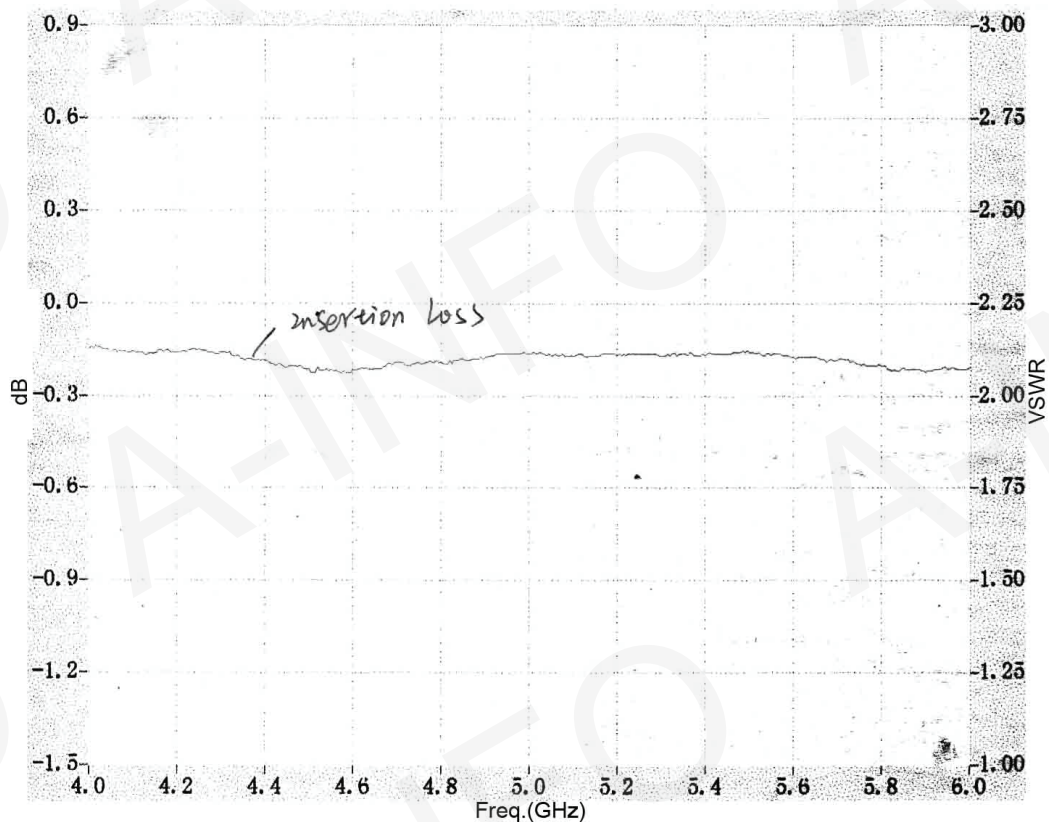
## Outline Drawing



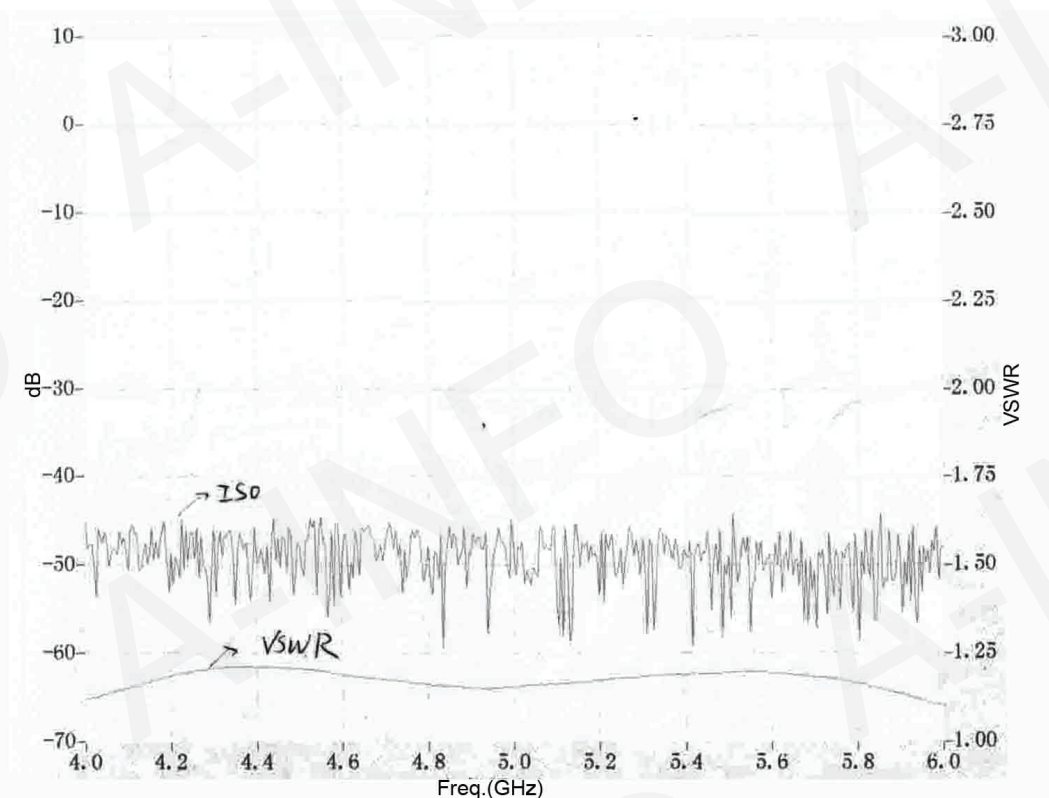
NOTE: ALL DIMENSIONS ARE IN MILLIMETERS.  
EXCEPT OTHERWISE NOTED GENERAL TOLERANCES FOR DIMENSIONS ARE  
AS FOLLOWS: X= ± 0.3, XXX= ± 0.13

## Test Results

### 1. Insertion Loss



### 2. Isolation & VSWR



### 3. Coupling & VSWR

