



Test report is for reference only.

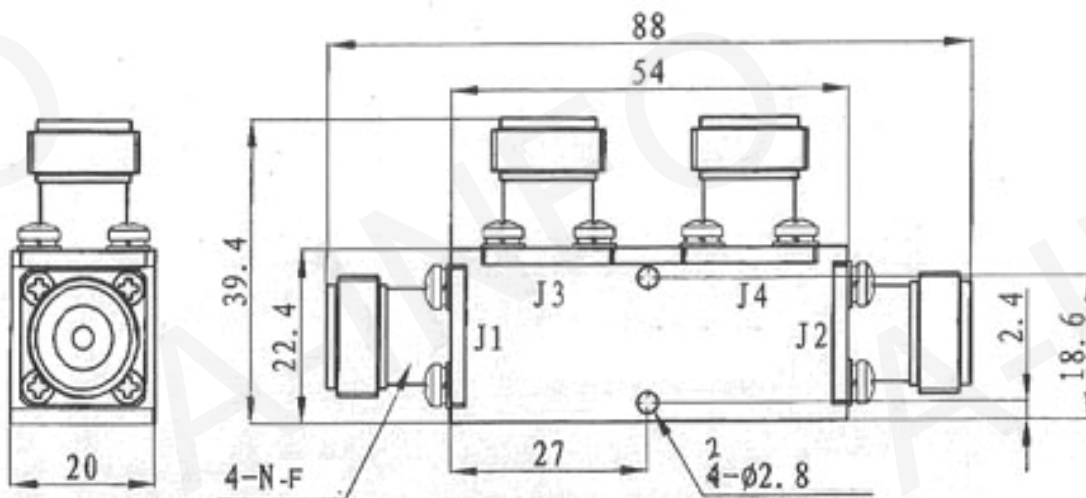
**TEST REPORT**  
for  
**JXWBOH-T-3680-3720-20**



## Technical Specification

Frequency Range(MHz)	3680-3720
Forward Coupling(dB)	20±0.5
Reverse Coupling(dB)	20±0.5
Coupling Flatness(dB)	±0.3
Insertion Loss(dB)	0.5 max
VSWR	1.2 max
Impedance(Ohm)	50
Directivity(dB)	18 min
Power Handling(W)	25 CW
Connector	N-Female
Operating Temperature(°C)	-10 ~ +50
Storage Temperature(°C)	-55 ~ +85

## Outline Drawing (Size: mm)



## Test Results

### Phase Result (J1-J2 Port)

Trc15      S21 Phase 2° /      Ref 0.5°      Cal Math      4 of 3 (Max)  
 Trc17      S22 SWR 0.05 U /      Ref 1 U      Cal  
 Mem18[Trc15]      S21 Phase 2° /      Ref 0.5°      Invisible

