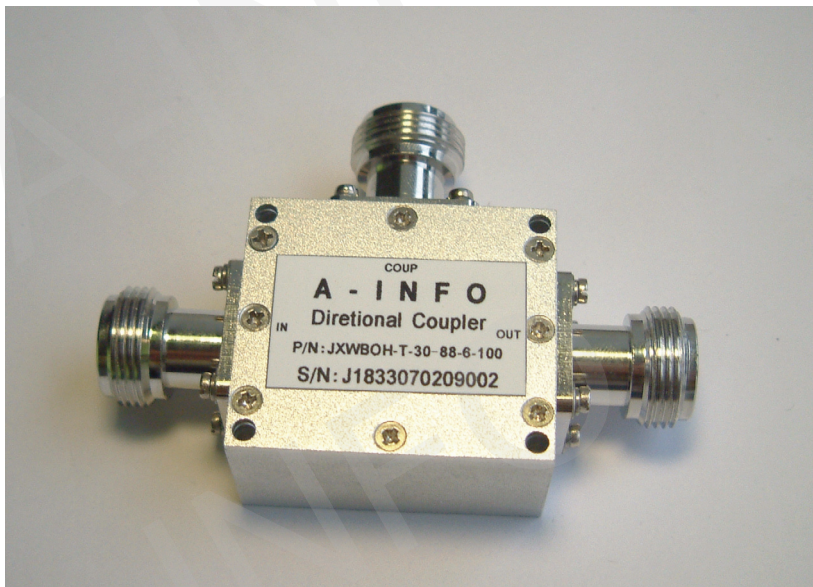




Test report is for reference only.

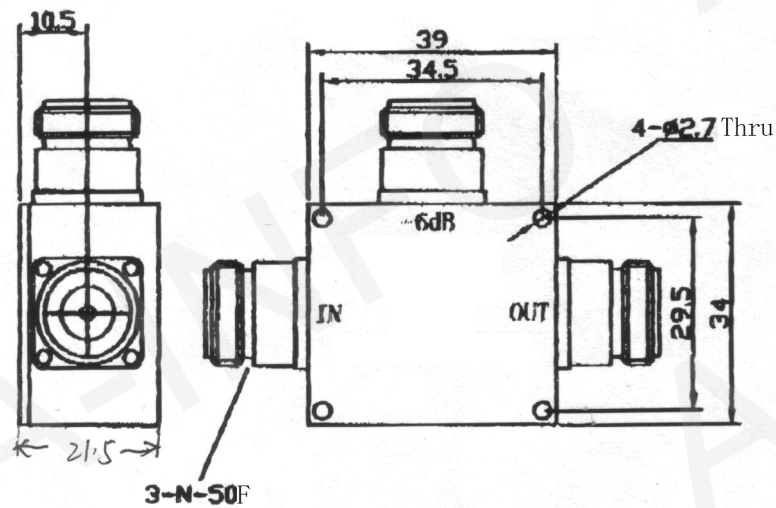
TEST REPORT
for
JXWBOH-T-30-88-6-100



Technical Specification

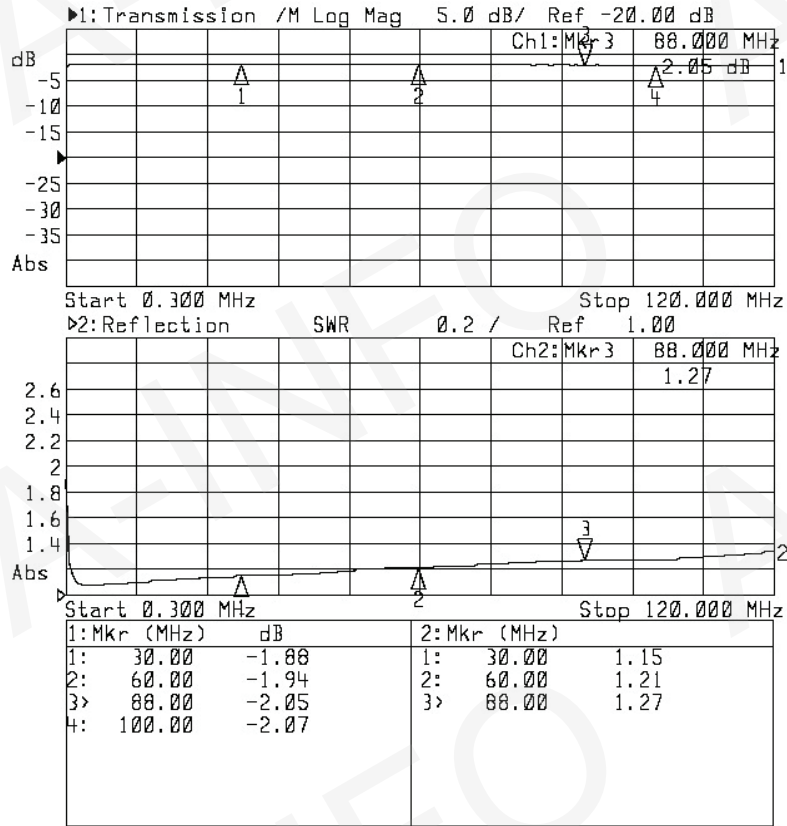
Frequency Range(MHz)	30-88
Coupling(dB)	6
Insertion Loss(dB)	0.6
Isolation(dB)	20
VSWR	1.3 max
Handling Power(W)	100 CW
Connector	N-Female
Operating Temperature(°C)	-55 ~ +85
Storage Temperature(°C)	-60 ~ +100

Outline Drawing (Size: mm)

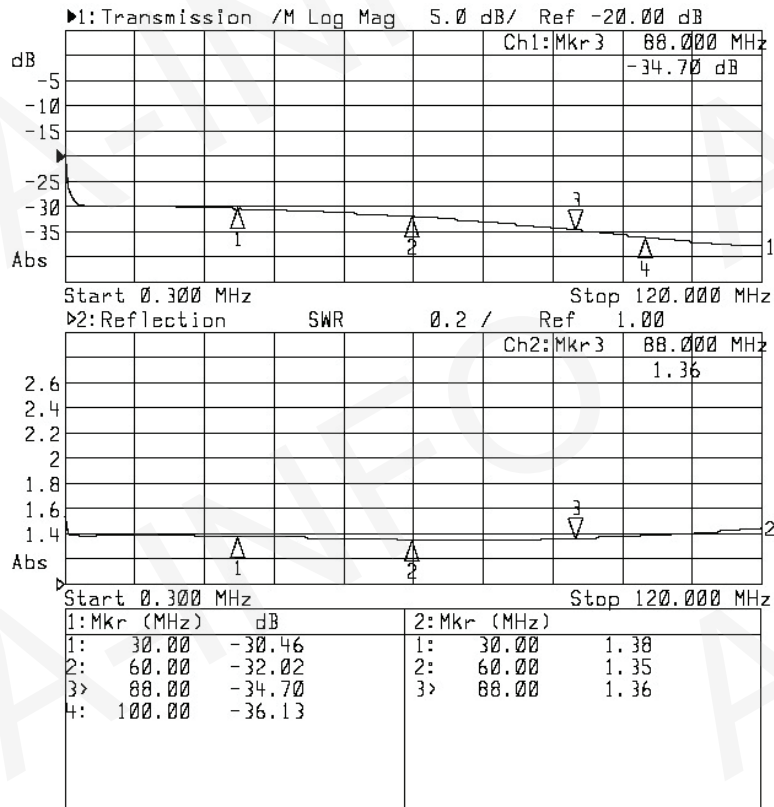


Test Results

1. Insertion Loss & VSWR



2. Isolation & VSWR



3. Coupling & VSWR

