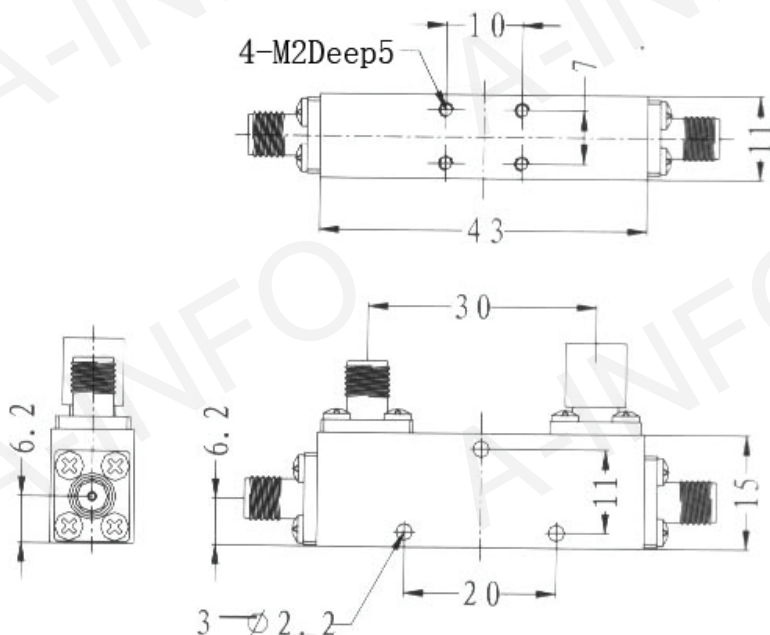


Outline Drawing (Size: mm)



Test Results Table

Item	Technical Specification	Test Results
Frequency Range(MHz)	2000-8000	2000-8000
Insertion Loss(dB)	0.4 max	0.27 max
Coupling(dB)	30±1	30±1
VSWR	1.2 max	1.18 max
Directivity(dB)	20 min	23 min
Frequency Sensitivity(dB)	±1 max	±0.42 max
Power Handling(W)	50W	50W
Connectors	SMA-Female	SMA-Female
Operating Temperature(°C)	-55 ~ +85	-55 ~ +85