



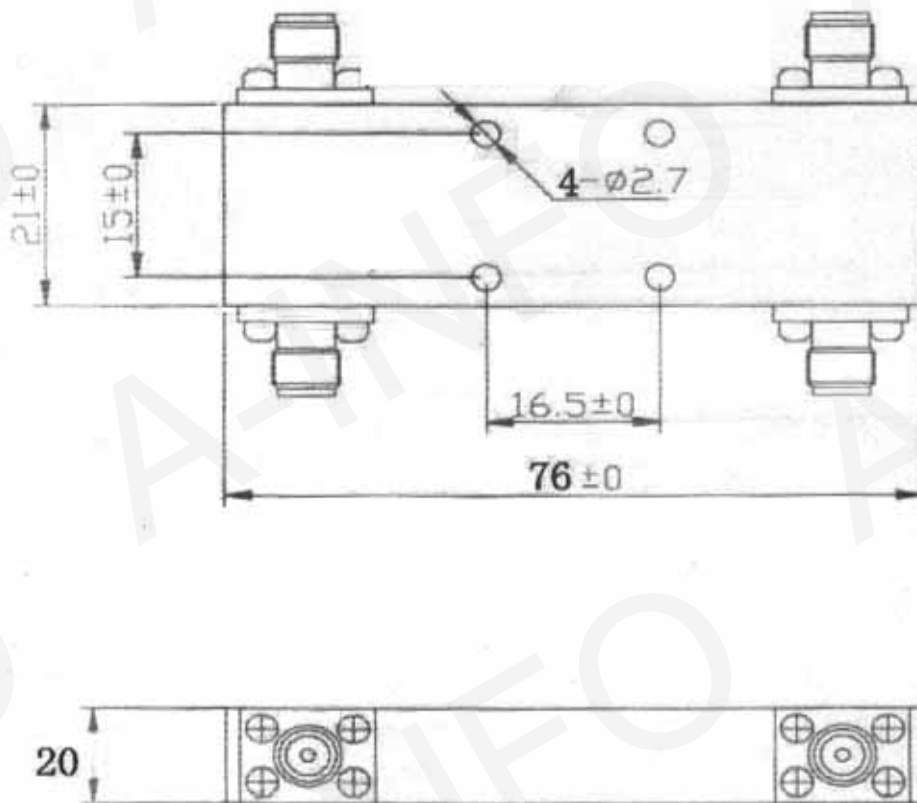
Test report is for reference only.

TEST REPORT
for
JXWBOH-T-2000-8000-28N

Technical Specification

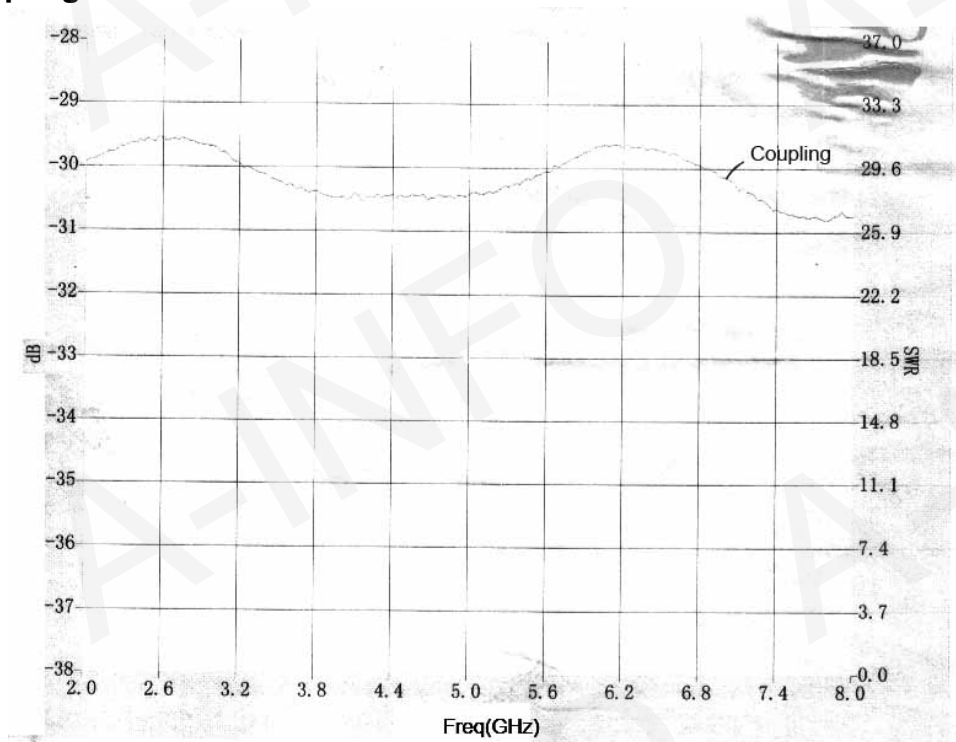
Frequency Range(GHz)	2-8
Coupling(dB)	30
Insertion Loss(dB)	0.6
VSWR	1.4
Directivity(dB)	16
Power Handling(W)	50
Connector	N-Female
Operating Temperature(°C)	-40 ~ +80
Storage Temperature(°C)	-55 ~ +85

Outline Drawing (Size: mm)

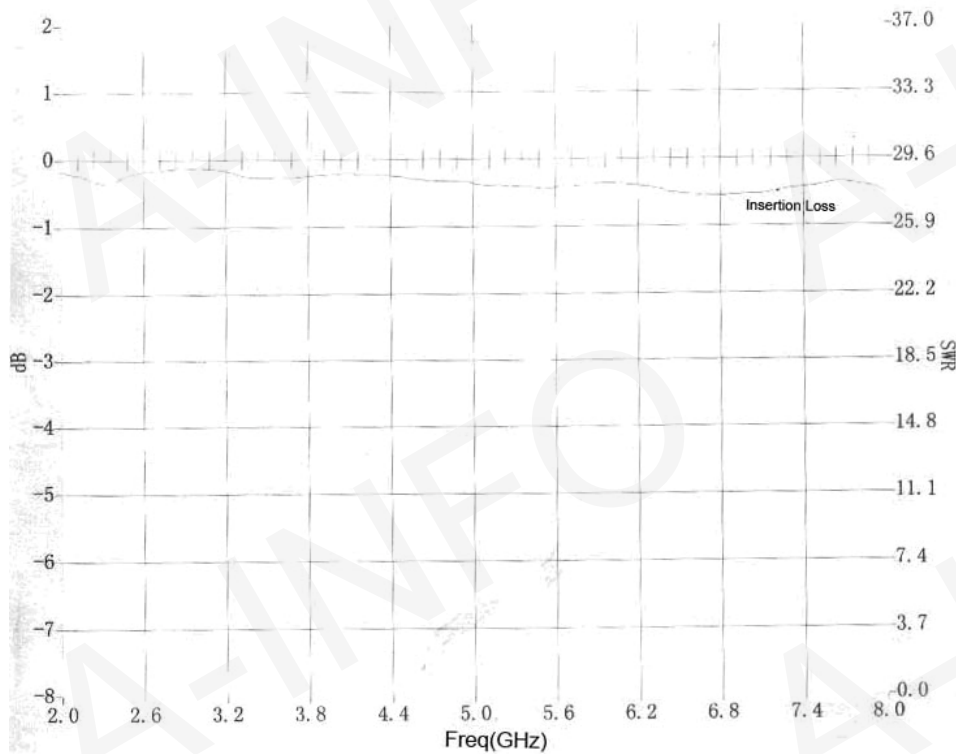


Test Results

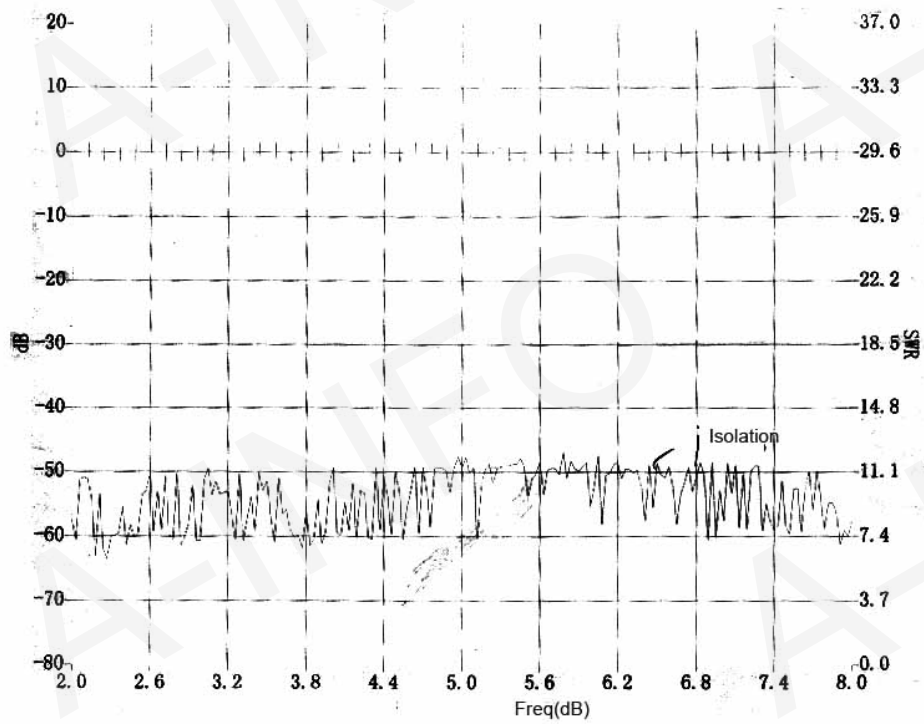
1. Coupling



2. Insertion Loss



3. Isolation



4. VSWR

