



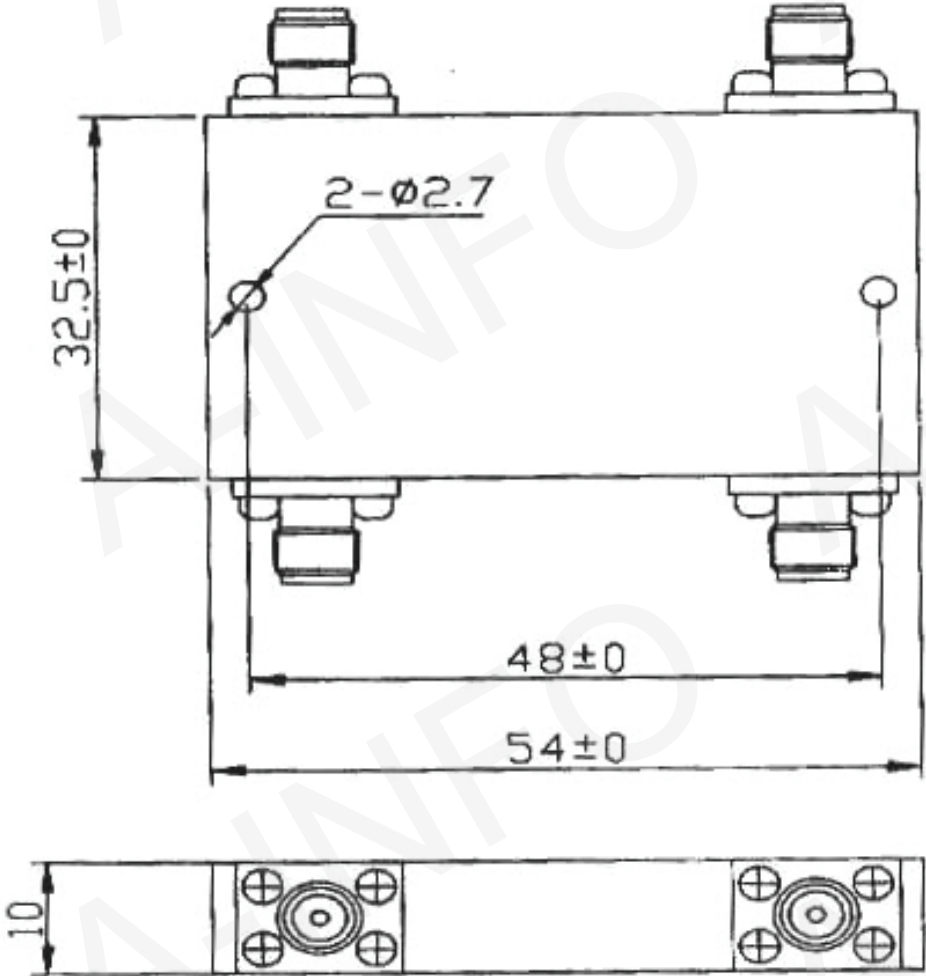
Test report is for reference only.

TEST REPORT
for
JXWBOH-T-2.4-6

Technical Specification

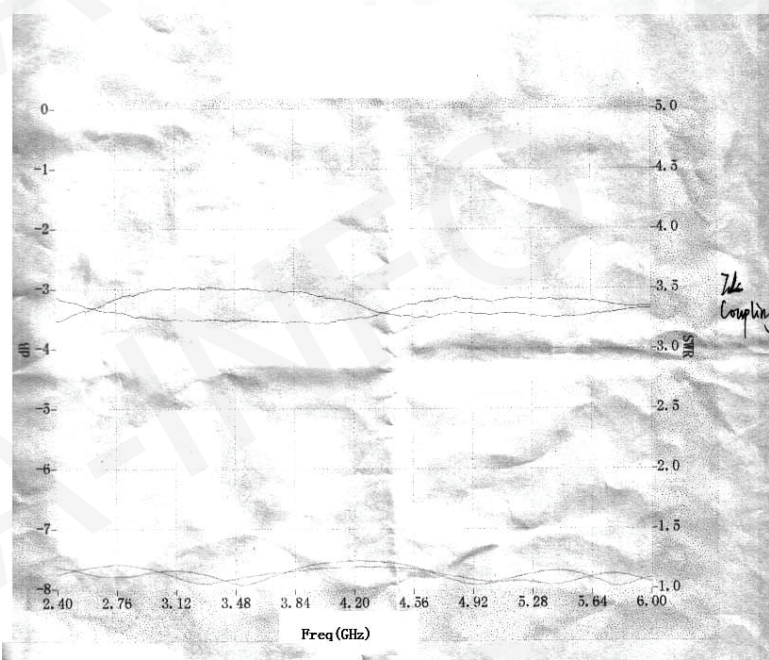
Frequency Range(GHz)	2.4-6
Insertion Loss(dB)	0.6 max
Isolation(dB)	20 min
VSWR	1.4 max
Impedance(Ohm)	50
Power Handling(W)	2 max
Connector	SMA-Female
Operating Temperature(°C)	-40 ~ +80
Storage Temperature(°C)	-55 ~ +85

Outline Drawing (Size: mm)



Test Results

1. Insertion Loss & Coupling



2. Isolation

