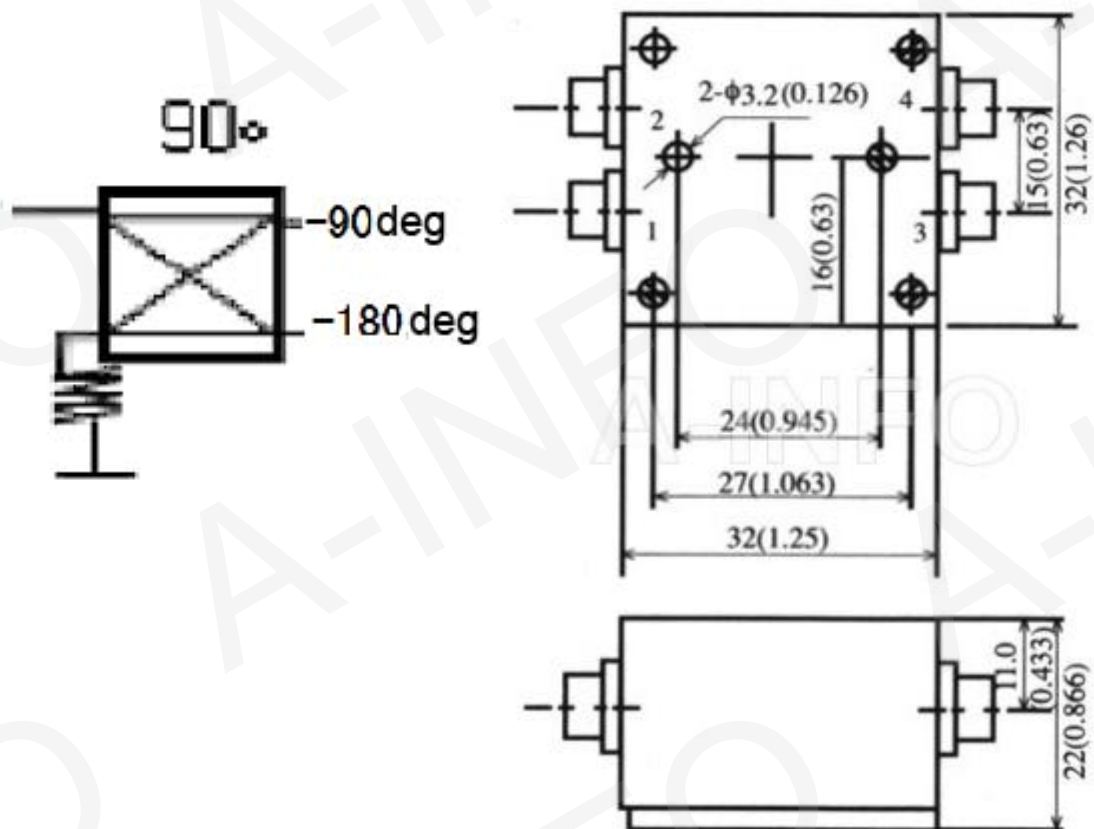


Outline Drawing (Size: mm)



Test Results

Items	Technical Specification	Test Results
Frequency Range (MHz)	500-1000	500-1000
Insertion Loss(dB)	0.6 max	0.54
Isolation(dB)	20 min	21.3
VSWR	1.3 max	1.20
Phase Balance(°)	2 max	2.2
Amplitude Balance(dB)	0.8 max	0.80
Connectors	SMA-50K	
Net Weight(Kg)	0.06	