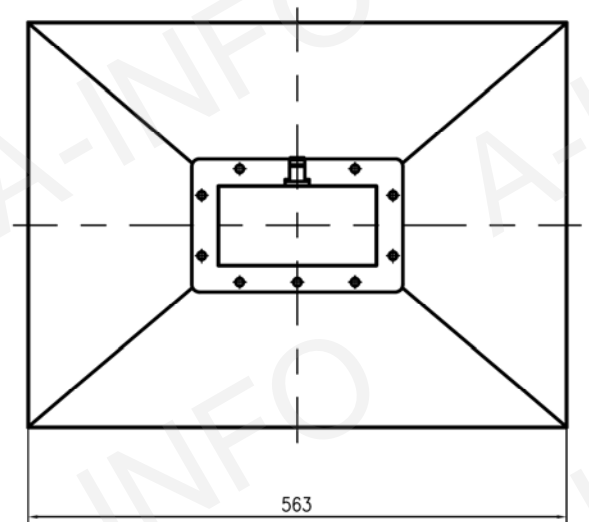
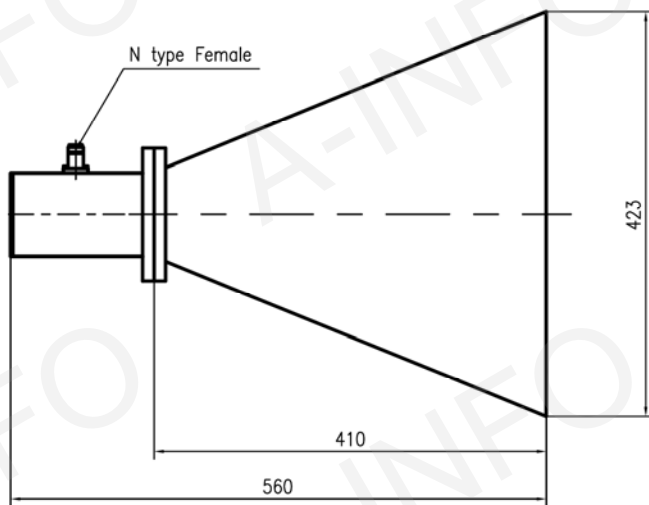


## Technical Specification



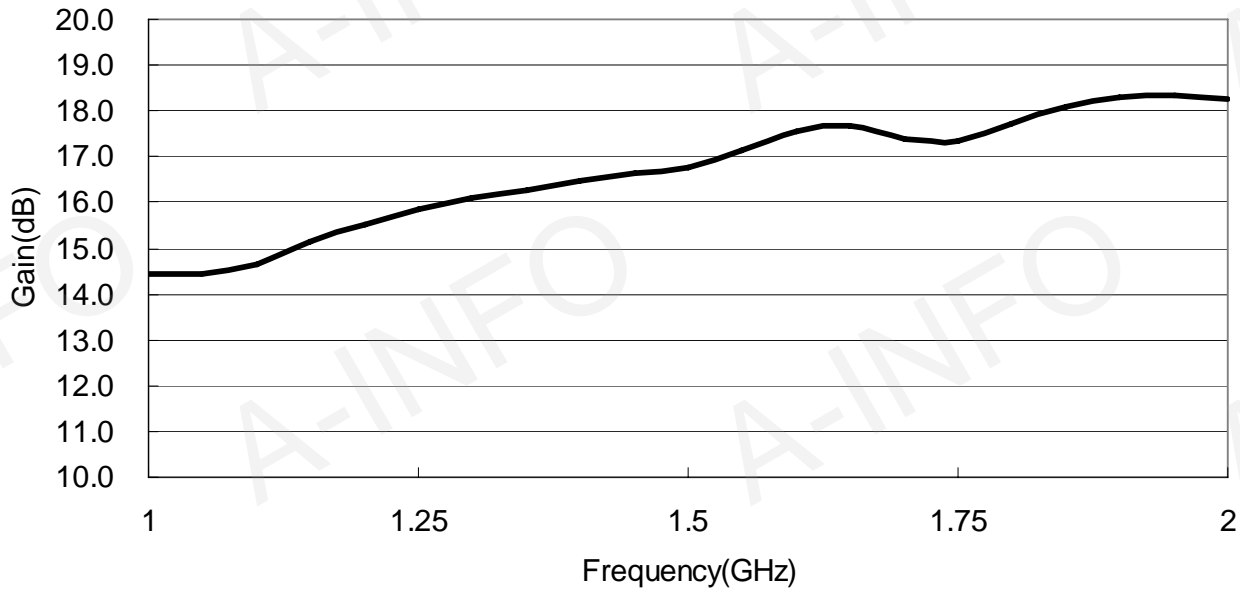
Frequency Range(GHz)	1.0 - 2.0
Gain(dB)	15 Typ.
Polarization	Linear
VSWR	2.0 Max
Waveguide	WR650
Connector	N-F or SMA-F
Size(mm)	563 x 423 x 560
Net Weight(Kg)	5.7 Around

## Outline Drawing (Size: mm)



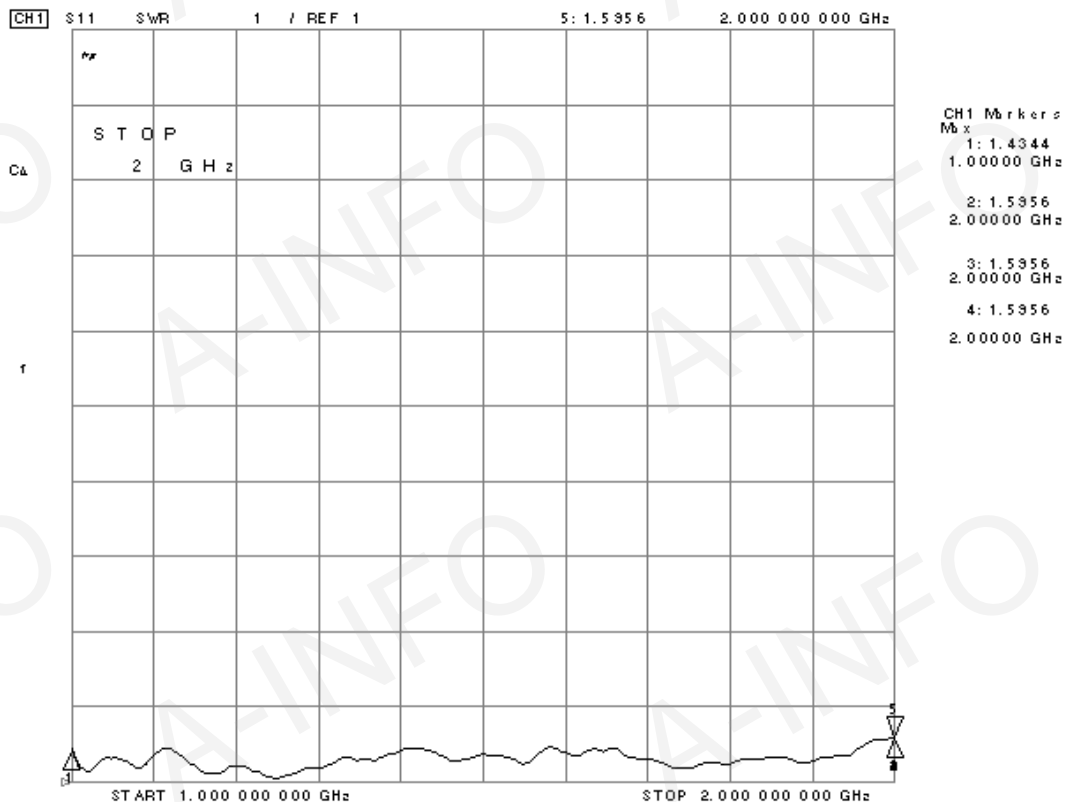
## Test Results

### 1. Gain

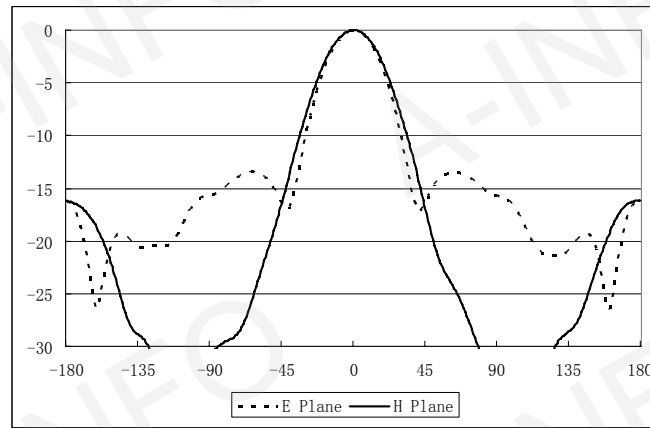


Frequency(GHz)	1	1.05	1.10	1.15	1.20	1.25	1.30	1.35	1.40	1.45	1.50
Gain(dB)	14.43	14.46	14.63	15.13	15.53	15.85	16.09	16.25	16.49	16.63	16.78
Frequency(GHz)	1.55	1.60	1.65	1.70	1.75	1.80	1.85	1.90	1.95	2.00	
Gain(dB)	17.16	17.54	17.66	17.39	17.34	17.70	18.10	18.29	18.32	18.27	

### 2. VSWR

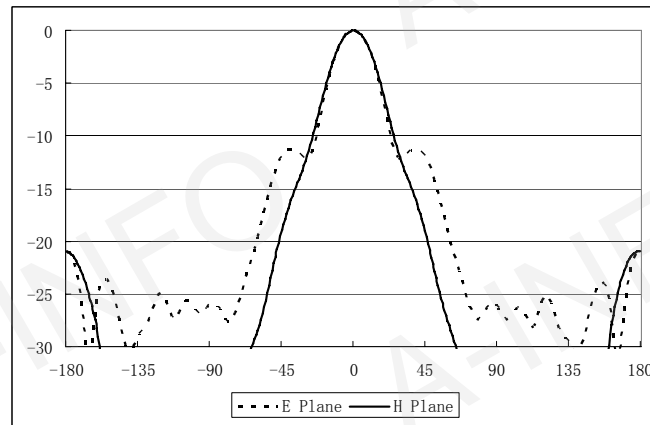


### 3. Pattern



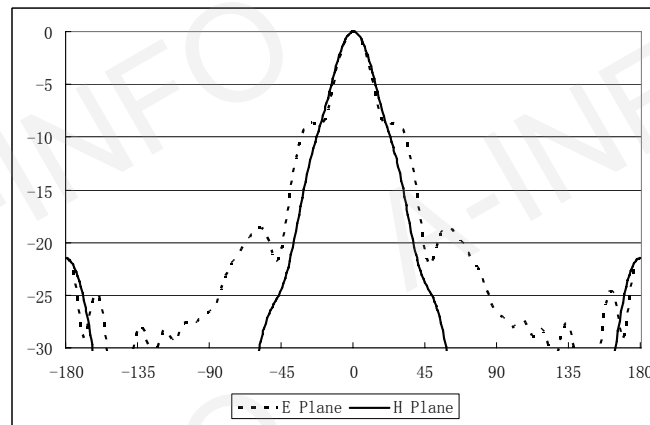
H-Plane (3dB Beamwidth=36.0°)

E-Plane (3dB Beamwidth=33.3°)



H-Plane (3dB Beamwidth=26.0°)

E-Plane (3dB Beamwidth=25.6°)



H-Plane (3dB Beamwidth=20.9°)

E-Plane (3dB Beamwidth=19.3°)