

A Type



A2 Type with Mounting Ear



C Type

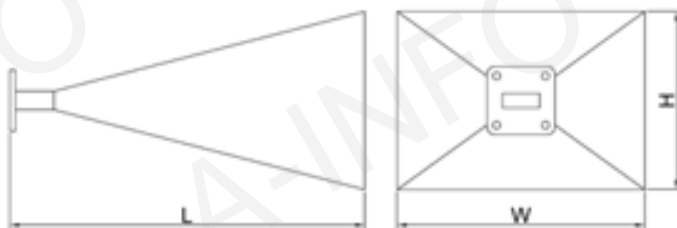


Technical Specification

Frequency Range(GHz)	8.2 - 12.4
Gain(dB)	25 Typ.
3dB Beamwidth(deg)	10 Typ.
Waveguide	WR90
Material	Al
Output	A Type: FBP100 / C Type: SMA-F or N-F
Size(mm) W x H x L	A Type: 244x204x640 / C Type: 244x204x678
Net Weight(Kg)	A Type: 1.75 Around / C Type: 1.80 Around

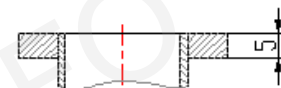
Outline Drawing (Size: mm)

A Type

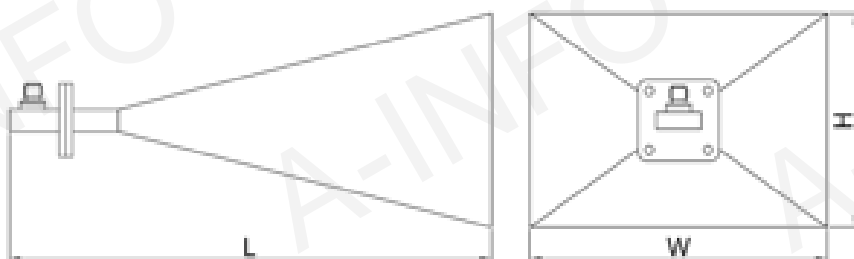


W x H x L: 244x204x640

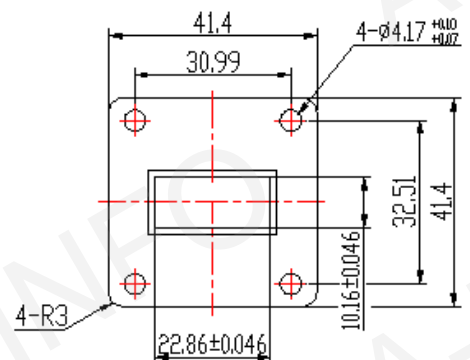
Flange Drawing



C Type



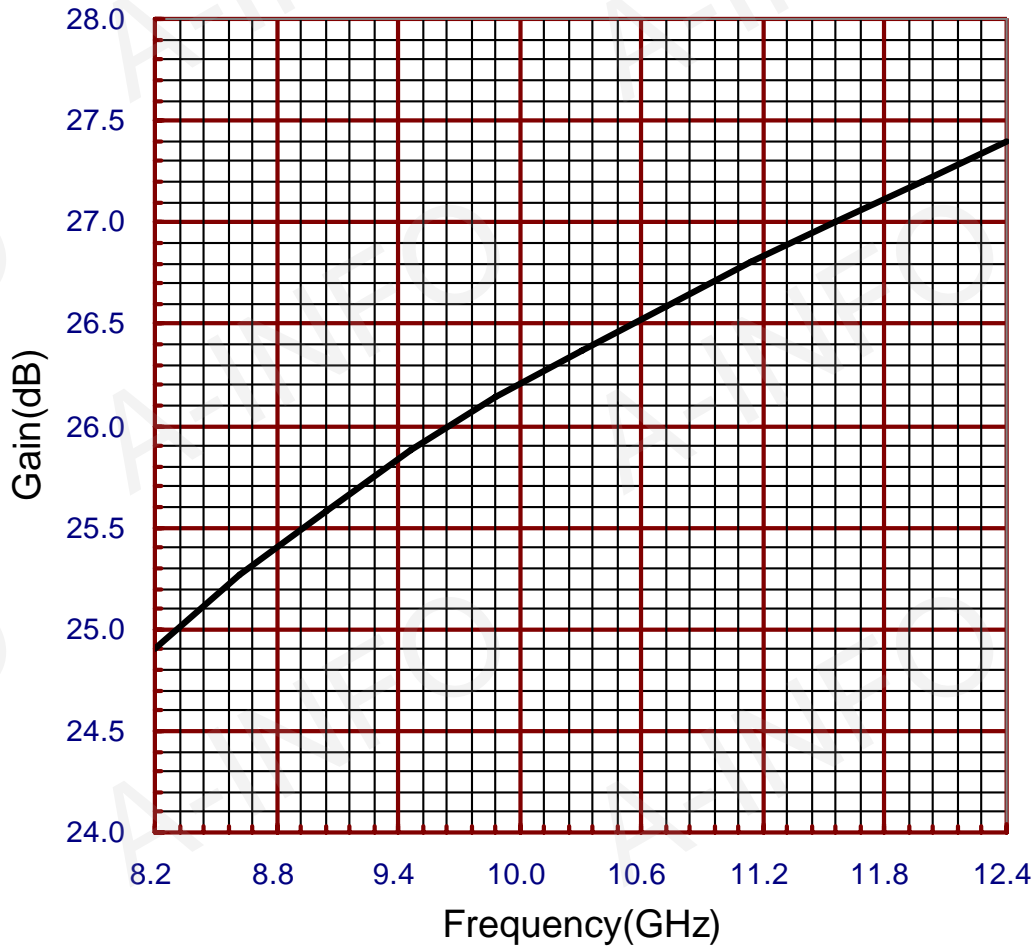
W x H x L: 244x204x678



FBP100

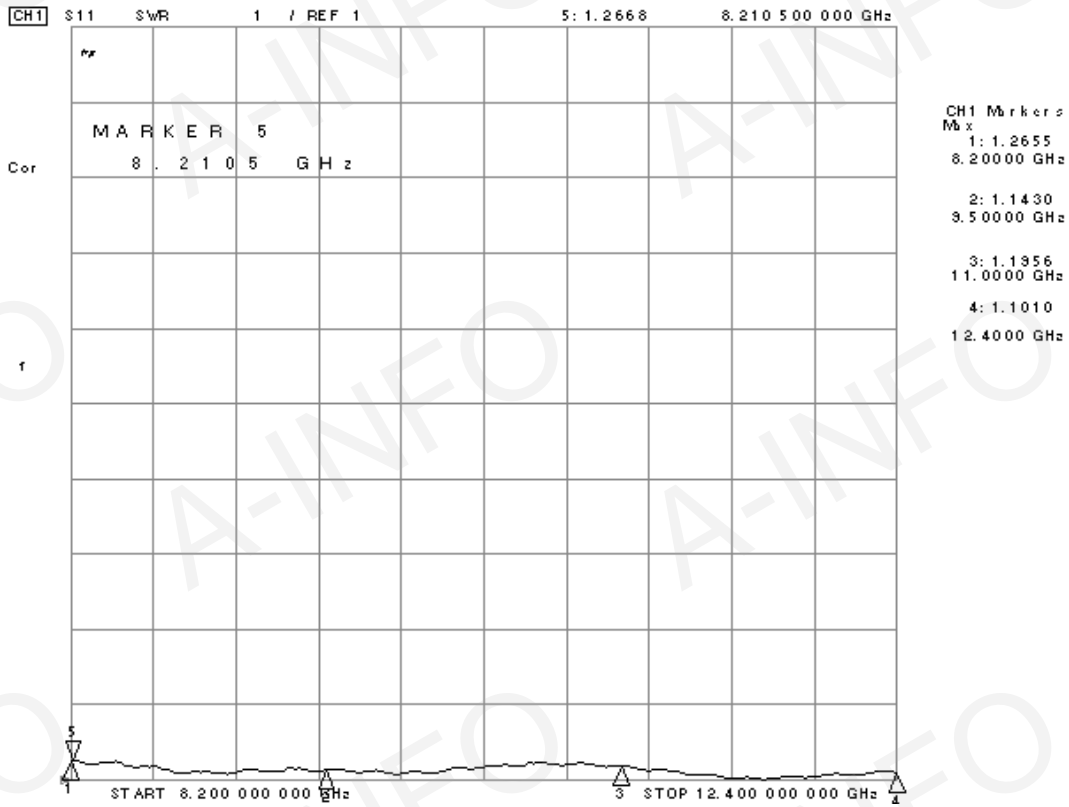
Test Results

1. Gain



F(GHz)	8.20	8.62	9.04	9.46	9.88	10.30	10.72	11.14	11.56	11.98	12.40
G(dB)	24.90	25.27	25.58	25.88	26.14	26.37	26.59	26.80	27.00	27.20	27.40

2. VSWR



3. Cross Polarization Isolation

